



More information on the website
mirror.radwag.com/us/info,w1,DP0

AS 62.R2 PLUS Analytical Balance

WL-104-0179



The drawings, photos and graphics used are for illustrative purposes only.

Functions



Autotest



Dosing



Percent Weighing



Totalizing



Parts counting



Peak hold



Newton unit measurement



Statistics



Checkweighing



Under-pan weighing



GLP Procedures



Animal weighing



Density determination

Datasheet

| Metrological parameters | |
|-------------------------|---------|
| Maximum capacity [Max] | 62 g |
| Minimum load | 1 mg |
| Readability [d] | 0,01 mg |
| Verification unit [e] | 1 mg |
| Tare range | -62 g |
| Minimum weight (USP) | 24 mg |

| Metrological parameters | |
|------------------------------------|---|
| Minimum weight (U=1%, k=2) | 2,4 mg |
| Standard repeatability [Max] | 0,02 mg |
| Standard repeatability [5% Max] | 0,012 mg |
| Permissible repeatability [Max] | 0,035 mg |
| Permissible repeatability [5% Max] | 0,02 mg |
| Linearity | ±0,05 mg |
| Stabilization time | 2 s |
| Adjustment | internal (automatic) |
| OIML Class | I |
| Physical parameters | |
| Leveling system | manual |
| Display | 5,3" LCD (backlit) |
| Weighing chamber doors | manual |
| Delivery components | Balance, weighing pan, weighing pan shield, centring ring, bottom cover, power supply, fabric dust cover. |
| Weighing pan dimensions | ø90 open-work pan + ø85 (option) mm |
| Packaging dimensions W x D x H | 545x455x575 mm |
| Net weight | 6,98 kg |
| Gross weight | 10,5 kg |
| Construction | |
| Protection class | IP 43 |
| Communication interface | |
| Communication interface | 2xRS232 ¹ , 2xUSB-A (interchangeable), USB-B, Wi-Fi (option) |
| Electrical parameters | |
| Power supply | Adapter: 100 – 240V AC 50/60Hz 0.6A Max; 12V DC 1,2A Balance: 12 – 15V DC 0,7A max; 3 – 5,5W* |
| Power consumption max. | 3 W |
| Environmental conditions | |
| Operating temperature | +10 – +40 °C |
| Relative humidity | 40% – 80% |

Repeatability is expressed as a standard deviation from 10 weighing cycles.

Stabilization time depends on the ambient conditions and the dynamics of weighing pan loading; specified for FAST profile.

¹ Barcode scanners, available as weighing instrument accessory, communicate with the instrument via RS232 interface exclusively.

* Wi-Fi® is a registered trademark of Wi-Fi® Alliance.



Additional fee for verification



Accessories (Additional Fee)

Antivibration tables
Power Adapters
Cigarette lighter receptacle power supply cables

RS 232, RS 485 cables
Displays
Protective cover for balances

Density determination KIT
USB cable (scale - printer)
Professional Weighing Tables
Barcode scanners
Workstation for pipettes calibration
!Balance Storage Case

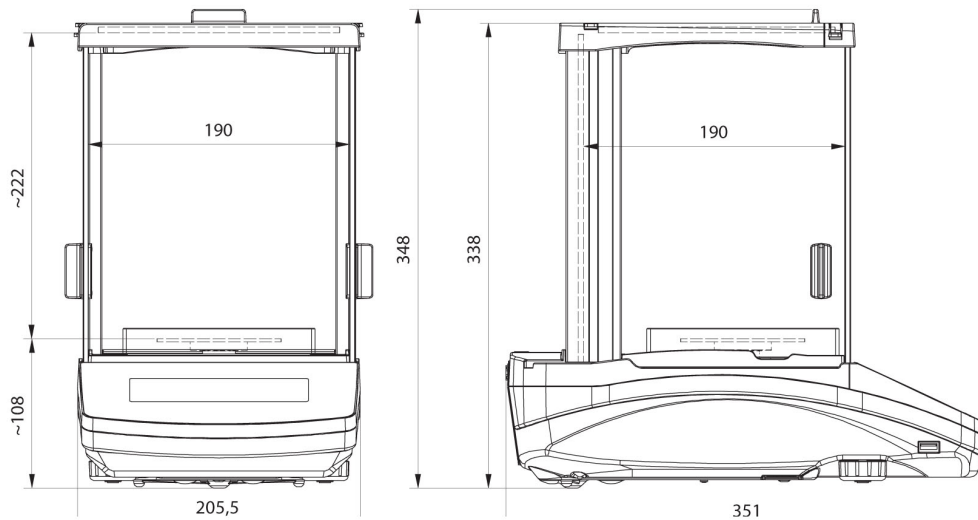
Weighing dishes
Antistatic ionizer
Receipt Printer
Under-pan weighing
RS 232 cables (scale - printer)

Software (Additional Fee)

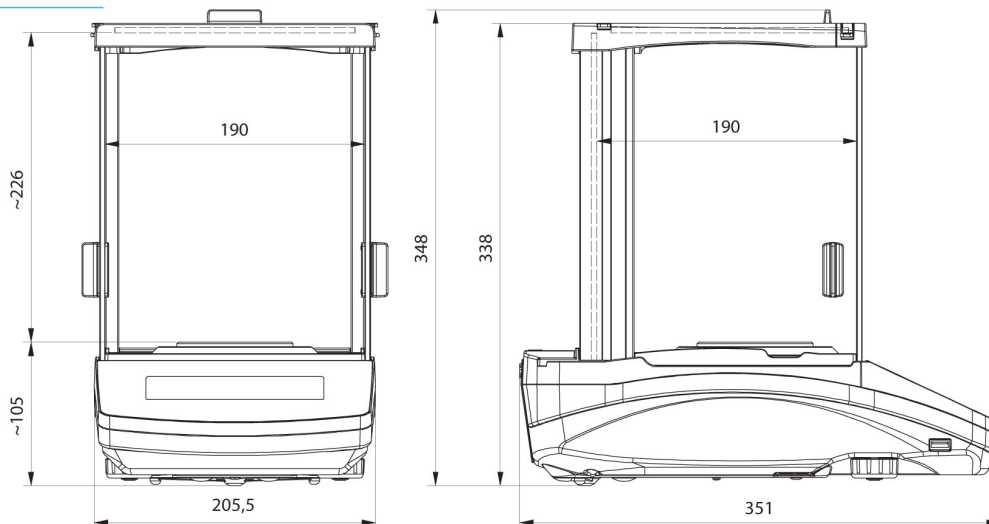
- RAD Key [WX-010-0005]
- Alibi Reader PC Software [WX-010-0114]

- R Panel [WX-010-0187]
- RADWAG Development Studio [WX-010-0104]

Device dimensions W x D x H



AS R2, d = 0.01 mg



AS R2, AS R1 d = 0.1 mg