



# PUE 7.1.150.2.HRP High Resolution Scale

WP-350-1011

More information on the website  
[mirror.radwag.com/us/info,w1,DD4](http://mirror.radwag.com/us/info,w1,DD4)



The drawings, photos and graphics used are for illustrative purposes only.

## Datasheet

Maximum capacity [Max]	150 kg
Minimum load	50 g
Preload range	30 kg
Readability [d]	1 g
Tare range	-150 kg
Repeatability	0,6 g
Linearity	±3 g
Stabilization time	3 s
Adjustment	internal (automatic)
<b>Physical parameters</b>	
Display	5,7" Resistive Color Touchscreen
Weighing pan dimensions	500×500 mm
<b>Construction</b>	
Protection class	IP 66 / 67 construction, IP 43 terminal
Construction	mild steel St3S

Construction	
Weighing pan material	Stainless steel AISI304
Communication interface	2×RS232, 2×USB-A, Ethernet, 4 IN / 4 OUT (digital), Wi-Fi
Power supply	100 – 240 V AC 50/60 Hz
Operating temperature	+10 – +40 °C
Relative humidity	15% – 80%

\* Wi-Fi® is a registered trademark of Wi-Fi® Alliance.



## Accessories (Additional Fee)

Displays  
 Transponder card readers  
 RS 232 cables (scale - Ethernet)

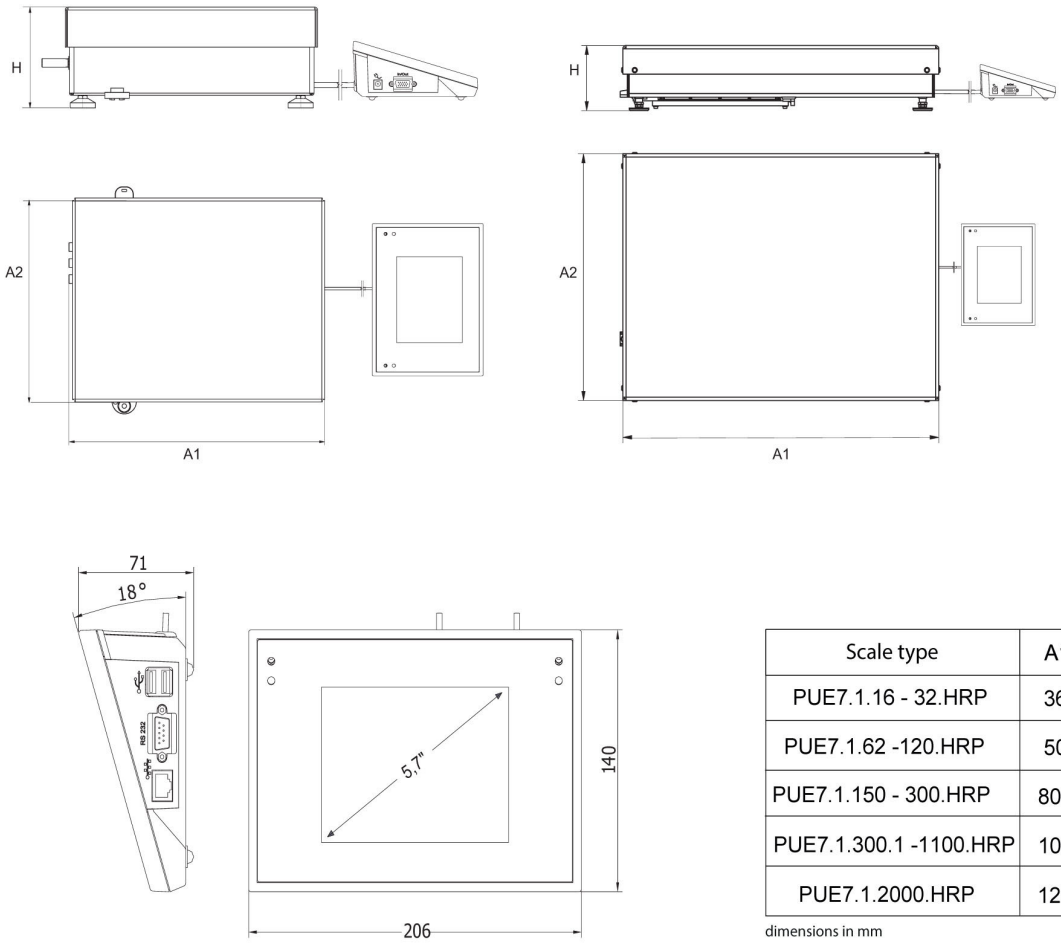
RS 232 cables (scale - printer)  
 Receipt Printer  
 Additional Weighing platforms Module

## Software (Additional Fee)

- E2R Weighing [WX-010-0099]
- RADWAG Remote Desktop [WX-010-0107]

- Label Editor R02 [WX-010-0094]
- Scale Editor - EWAG 2.1 [WX-010-0173]

# Device dimensions W x D x H



dimensions in mm