



More information on the website  
[mirror.radwag.com/ja/info,w1,DC4](http://mirror.radwag.com/ja/info,w1,DC4)

# IM01.EX-4/3/2

WX-016-0174



The drawings, photos and graphics used are for illustrative purposes only.

## 特徴

寸法	
外形寸法	IP 66 / 68 (1,5m)
重量	約 100g
ATEX	II (2)G [Ex ib] IIC Gb II (2)D [Ex ib] IIIC Db
接続機能	
接続機能	2×RS232, USB, 12IN / 12OUT, Ethernet, Profibus DP, 4-20 mA / 0-10 V
電源	
電源	100 – 240 V AC 50/60 Hz
消費電力 max.	10 W
動作温度	
動作温度	-10 – +40 °C
動作温度	-20 – +60 °C
湿度	10% – 85% RH

IM01.EX

IM01.EX

222×146×81 mm

IM01

1,9 kg

IM01

2,5 kg

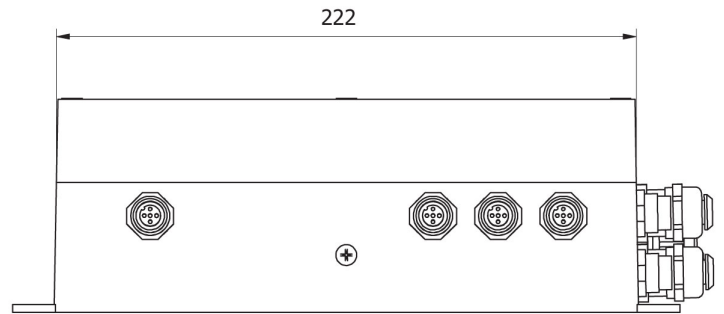
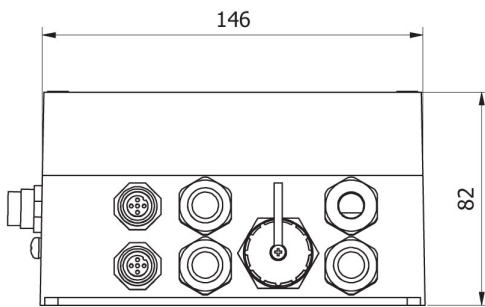


### IM01 (Additional Fee)

HX5.EX-1.4P2 H  
HX5.EX-1 HR  
RS 232  
HX5.EX-1.4P2 C  
HX5.EX-1.4N  
HX5.EX-1.4 C 4  
HX5.EX-1.4P H  
HX5.EX-1.4 H/Z  
HX5.EX-1 C 1

HX5.EX-1 H  
PUE HX5.EX  
HX5.EX-1.4 H  
RS 232/RS 485  
IN/OUT  
HX5.EX-1.4P C  
USB  
USB cable  
RS 232 – USB

IM01



IM01.EX