



More information on the website
mirror.radwag.com/us/info,w1,CJN

HX7.4.3000.H10/Z Multifunctional Stainless Steel Platform Scale, pit version

WP-226-0023



The drawings, photos and graphics used are for illustrative purposes only.

Functions



Dosing



Percent Weighing



Parts counting



Formulation



Replaceable unit



ALIBI Memory

Datasheet

Metrological parameters	
Maximum capacity [Max]	3000 kg
Minimum load	20 kg
Readability [d]	1 kg
Verification unit [e]	1 kg
Tare range	-3000 kg
Max readability for non-verified scale	500 g
OIML Class	III

Physical parameters	
Display	7" graphic colour
Cable length	3 m
Weighing pan dimensions	1500×2000 mm
Packaging dimensions W x D x H	2200×1700×600 mm
Net weight	319,7 kg
Gross weight	370 kg
Construction	
Protection class	IP 66 / 69 construction, IP 66 / 67 terminal
Keypad	membrane
Construction	Stainless steel AISI304
Communication interface	
Communication interface	RS232, USB-A, 4IN, 4OUT, Ethernet, Modbus TCP/IP
Optional interfaces	USB (M12 4P), RS485, RS232, Profibus (Dp SLAVE), PROFINET (RJ45), EtherNet/IP (RJ45), 12 IN / 12 OUT, 4-20mA, 0-10V
Electrical parameters	
Power supply	100 – 240 V AC 50/60 Hz
Power consumption max.	25 W
Optional power supply	12 – 24 V DC
Environmental conditions	
Operating temperature	-10 – +40 °C
Storage temperature	-10 – +50 °C
Relative humidity	10% – 80% RH no condensation
Indicator	PUE HX7
Number of buttons	22
Features of use	
Max number of platforms	2



Additional fee for verification



Accessories (Additional Fee)

RS 232 cables (scale - printer)
 RS 232 cables (scale - ZEBRA printer)
 Displays
 Power Adapters
 RS 232, RS 485 cables
 USB cable (scale - printer)
 IN/OUT Cables
 Barcode scanners

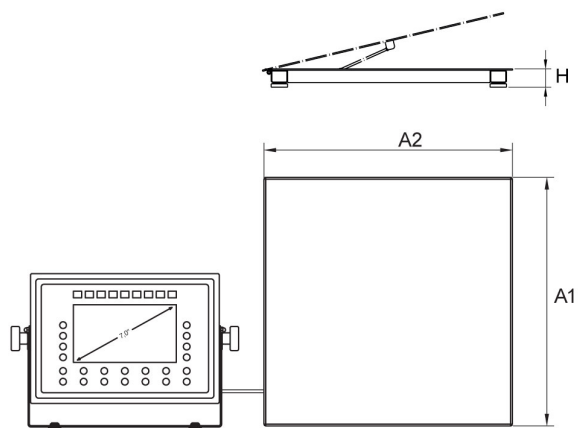
Label Printers
 Stands, wall mounting kits and mounting brackets
 Keypad, external switches
 USB adapter
 Receipt Printer
 Additional Weighing platforms Module
 RS 232 – USB Converter
 Additional modules

Software (Additional Fee)

- E2R Weighing [WX-010-0099]
- Label Editor R02 [WX-010-0094]
- Scale Editor - EWAG 2.1 [WX-010-0173]

- RAD Key [WX-010-0005]
- Alibi Reader PC Software [WX-010-0114]
- RADWAG Development Studio [WX-010-0104]

Device dimensions W x D x H



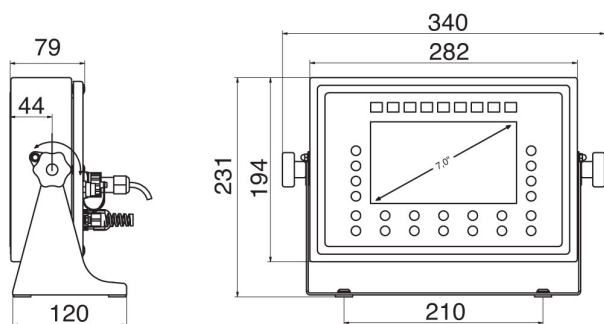
Typ wagi	A1	A2	B
HX7.H6/Z	800	800	88±2
HX7.H7/Z	1000	1000	88±2
HX7.H8/Z	1200	1200	88±2
HX7.H8/Z*	1200	1200	111±2
HX7.H 8/9/Z	1200	1500	88±2
HX7.H8/9Z*	1200	1500	111±2
HX7.H9/Z	1500	1500	88±2
HX7.H9/Z*	1500	1500	111±2
HX7.H10/Z	1500	2000	111±2
HX7.H10/Z**	1500	2000	166±2

wymiar podawany w mm
dimensions in mm

* dla Max ≥ 3000

**Max ≥ 3000 dla Max ≥ 6000

* Max ≥ 6000



PUE HX7