



More information on the website  
[mirror.radwag.com/us/info,w1,CG6](http://mirror.radwag.com/us/info,w1,CG6)

# PUE 7.1.16.HRP High Resolution Scale



The drawings, photos and graphics used are for illustrative purposes only.

## Datasheet

Maximum capacity [Max]	16 kg
Minimum load	5 g
Preload range	4 kg
Readability [d]	0,1 g
Tare range	-16 kg
Repeatability	0,1 g
Linearity	±0,1 g
Stabilization time	2 s
Adjustment	internal (automatic)
<b>Physical parameters</b>	
Display	5,7" Resistive Color Touchscreen
Weighing pan dimensions	360×280 mm
Device dimensions	360×313×170 mm
Packaging dimensions	560×473×360 mm
Net weight	24,7 kg

Physical parameters	
Gross weight	28,7 kg
Construction	
Protection class	IP 66 / 67 construction, IP 43 terminal
Construction	aluminum
Weighing pan material	Stainless steel AISI304
Communication interface	
Communication interface	2×RS232, 2×USB-A, Ethernet, 4 IN / 4 OUT (digital), Wi-Fi
Power supply	
Power supply	100 – 240 V AC 50/60 Hz
Operating temperature	
Operating temperature	+10 – +40 °C
Relative humidity	
Relative humidity	15% – 80%

\* Wi-Fi® is a registered trademark of Wi-Fi® Alliance.



## Accessories

### Displays

Transponder card readers  
 RS 232 cables (scale - Ethernet)  
 RS 232 cables (scale - printer)  
 Antivibration tables

### Barcode scanners

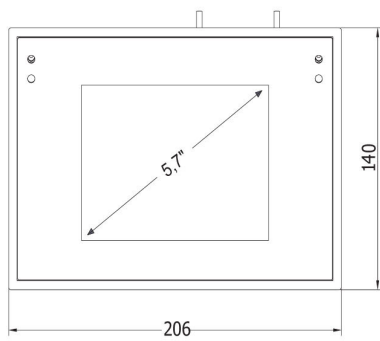
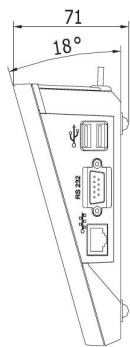
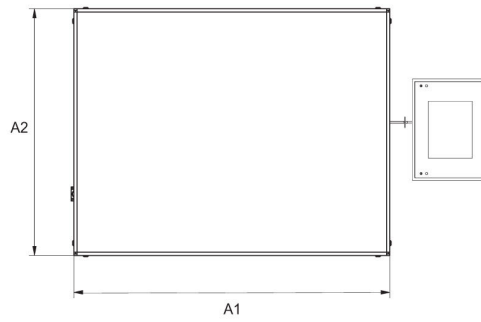
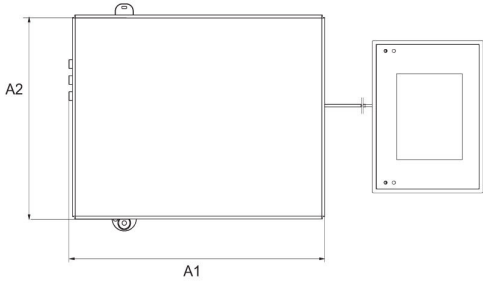
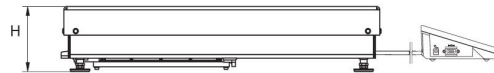
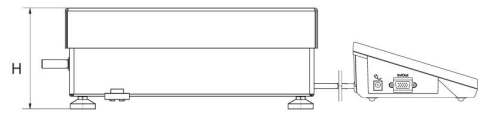
Label Printers  
 Receipt Printer  
 Additional Weighing platforms Module  
 RS 232 – USB Converter

## Software

- E2R Weighing [WX-010-0099]
- RAD Key [WX-010-0005]
- RADWAG Remote Desktop [WX-010-0107]
- RADWAG Development Studio [WX-010-0104]

- E2R Weighing Records [WX-010-0038]
- Label Editor R02 [WX-010-0094]
- Scale Editor - EWAG 2.1 [WX-010-0173]

## Device dimensions



Scale type	A1	A2	H
PUE7.1.16 - 32.HRP	360	280	139±3
PUE7.1.62 - 120.HRP	500	500	175±3
PUE7.1.150 - 300.HRP	800	600	175±3
PUE7.1.300.1 - 1100.HRP	1000	800	175±3
PUE7.1.2000.HRP	1250	1000	175±3

dimensions in mm