



More information on the website  
[mirror.radwag.com/it/info,w1,CB2](http://mirror.radwag.com/it/info,w1,CB2)

# Postazione di lavoro per calibrazione pipette SDKP



The drawings, photos and graphics used are for illustrative purposes only.

## Specifiche

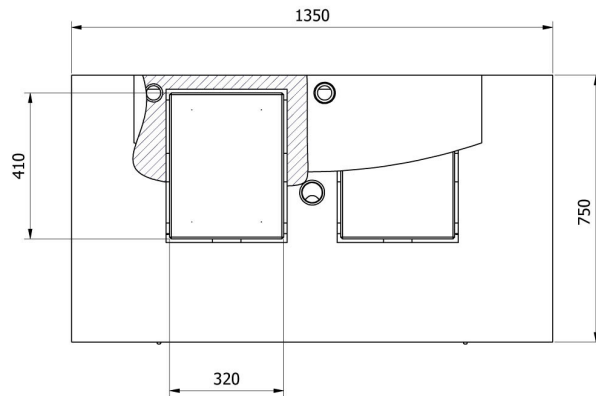
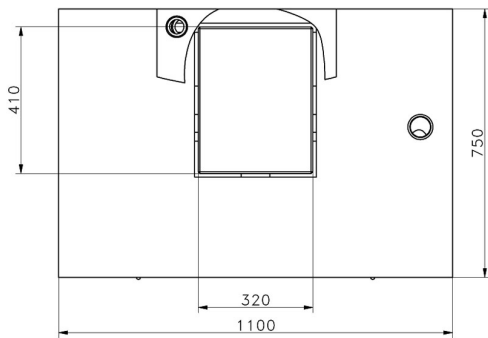
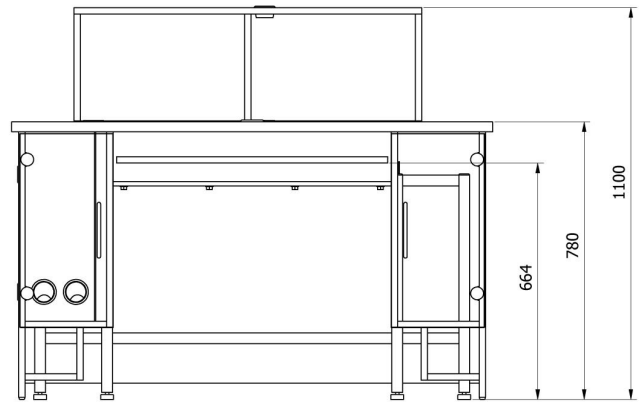
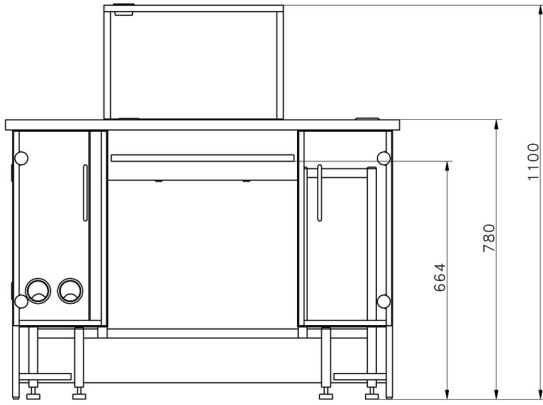
Parametri fisici	
Componenti del kit	table for calibration, anti-vibration table, probe for temperature, humidity and pressure measurement, probe for water temperature measurement, sink for used water, armrests, LCD monitor, PC with pre-installed software PIPETTES RADWAG, power supply, keyboard and mouse, container for used water
Dimensioni del pacco	820x1160x890 mm
Lunghezza	1100 mm
Larghezza	750 mm
Altezza	1100 mm
Number of workstations	1

## Compatibile con

Microbilancia per la calibrazione delle pipette XA 5Y.M.A.P  
Microbilancia per la calibrazione delle pipette MYA 5Y.P  
AS X7 Bilancia analitica  
Bilance analitiche AS X2 PLUS  
Puntali per pipette

Bilancia analitica AS 5Y  
Bilancia analitica AS R2 PLUS  
Bilancia analitica AS R1 PLUS  
THBR 2.0 - modulo misura parametri ambientali

## Device dimensions



—SDKP

—SDKP DUAL