



More information on the website
mirror.radwag.com/us/info,w1,BYZ

PUE 5.15IR Weighing Terminal

WX-008-0035



The drawings, photos and graphics used are for illustrative purposes only.

Functions



Dosing



Labelling



Plus/Minus Control



Parts counting



Formulation



Statistics



Checkweighing

Datasheet

Metrological parameters

OIML Class	III
Maximum quantity of divisions from converter	8388608
Maximum quantity of verification units	6000 e
Minimum voltage per verification unit	0,4 μ V
Maximum voltage per verification unit	3,25 μ V
Minimum load cell impedance	80 Ω
Maximum load cell impedance	1200 Ω
Load cell excitation voltage	5V
Maximum increase of signal	19,5 mV

Metrological parameters	
Connection of load cells	4 or 6 wires
Physical parameters	
Display	15,6" graphic colour touchscreen
Device dimensions W x D x H	490×310×200 mm
Packaging dimensions W x D x H	560×360×240 mm
Net weight	10,5 kg
Gross weight	11,5 kg
Construction	
Protection class	IP 66 / 67
Touch panel	infrared
Housing	Stainless steel
Communication interface	
Communication interface	4×USB 2.0 (2×USB-A, 2×M12 4P), Ethernet - 2×10/100/1000 Mbit (2×RJ45 hermetic), 2×RS232, RS485 (2×M12 8P)
Optional interfaces	external buttons PRINT, TARE, START - terminal with 4IN/4OUT (M12 8P connector) is required, additional weighing platform module - max. 3 pcs, metrological parameters as in the main weighing platform
Electrical parameters	
Power supply	100 – 240 V AC 50/60 Hz
Power consumption max.	75 W
Environmental conditions	
Operating temperature	0 – +40 °C
Storage temperature	-20 – +60 °C
Relative humidity	10% – 85% RH no condensation
Components and software	
Operating system	Microsoft Windows 11 IoT
Processor	Intel® Celeron® J6412
Chipset	Intel® UHD Graphics for 10th Gen Intel® Processors
Memory	16 GB RAM
Data memory	SSD 512 GB



Compatible with (Additional Fee)

Waterproof stainless steel platforms
Mild steel powder coated weighing platforms
RS 232 cables (scale - printer)
RS 232 cables (scale - ZEBRA printer)
Ethernet cables (scale - Ethernet)
Stainless steel platforms, pit version
RS 232, RS 485 cables
Ramp stainless steel platforms
Displays
Platforms in plastic casing

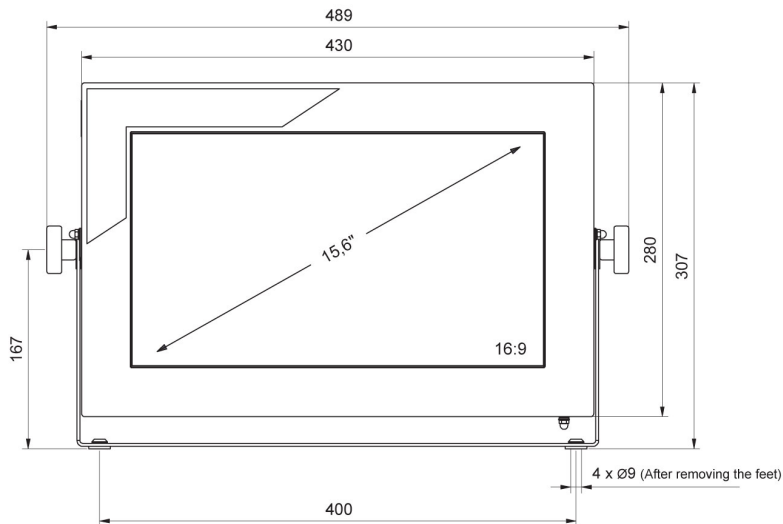
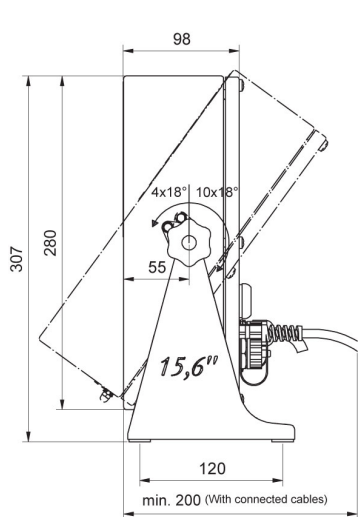
Barcode scanners
Stainless steel ramp platforms with LD lifting system
Label Printers
Additional Weighing platforms Module
!Keypad, external switches
USB adapter
F1 Mass Standard -
knob weights without adjustment chamber, set
USB cable (scale - printer)
RS 232 – USB Converter

Software (Additional Fee)

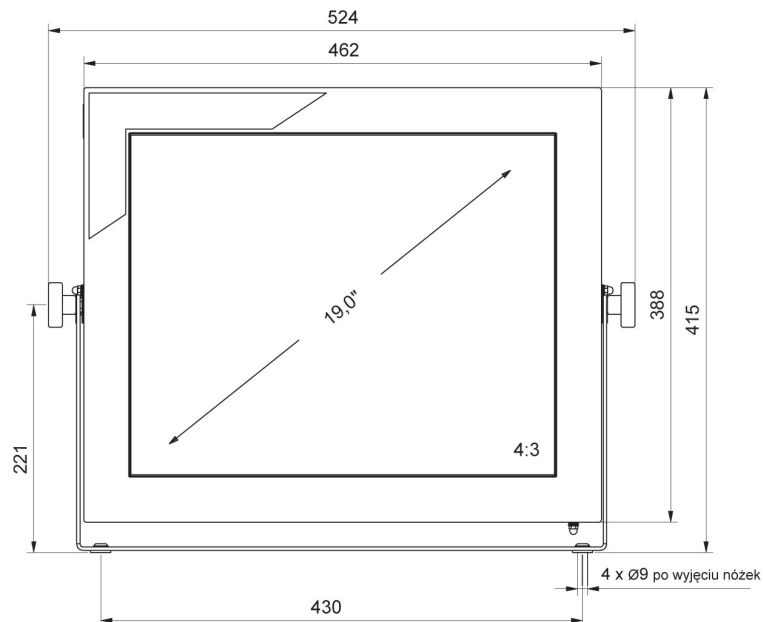
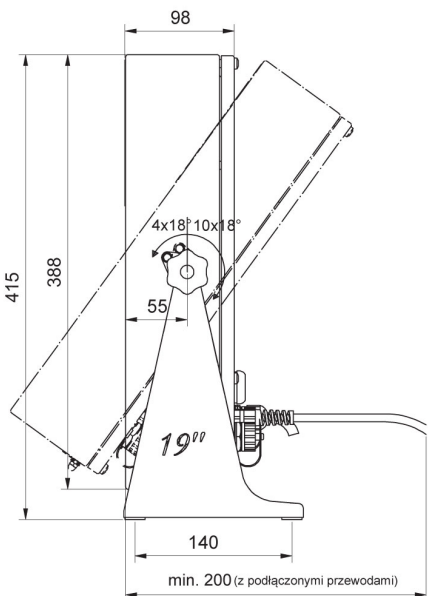
• RAD Key [WX-010-0005]

• Label Editor R02 [WX-010-0094]

Device dimensions W x D x H



PUE 5.15



PUE 5.19