



More information on the website  
[mirror.radwag.com/us/info,w1,BFF](http://mirror.radwag.com/us/info,w1,BFF)

# H315.60.H3/5.M Waterproof Scale

WP-124-0037




The drawings, photos and graphics used are for illustrative purposes only.

## Functions

 Plus/Minus Control

 Percent Weighing


 Totalizing

 Parts counting

 Internal battery

 Peak hold

 Newton unit measurement

 Animal weighing

## Datasheet

Maximum capacity [Max]	60 kg
Minimum load	400 g
Readability [d]	20 g
Verification unit [e]	20 g
Tare range	-60 kg
Max readability for non-verified scale	2 g
OIML Class	III
<b>Physical parameters</b>	
Display	4,3" LCD (backlit)

Physical parameters	
Weighing pan dimensions	400×600 mm
Packaging dimensions W x D x H	710×510×330 mm
Net weight	15,5 kg
Gross weight	22 kg
Construction	
Protection class	IP 66 / 67 construction, IP 66 / 67 / 69 terminal
Communication interface	RS232, USB
Optional interfaces	RS232 or RS485 or 4IN/4OUT or Ethernet or analog output 4-20 mA
Power supply	100 – 240 V AC 50/60 Hz
Optional power supply	internal rechargeable battery
Operation time on batteries	max 7h
Operating temperature	-10 – +40 °C
Relative humidity	10% – 85% RH no condensation



Additional fee for verification



## Accessories (Additional Fee)

AP2-3 Current Loop Unit  
 RS 232 cables (scale - printer)  
 Antivibration tables  
 Displays  
 Ethernet cables (scale - Ethernet)  
 RS 232, RS 485 cables  
 Power Adapters

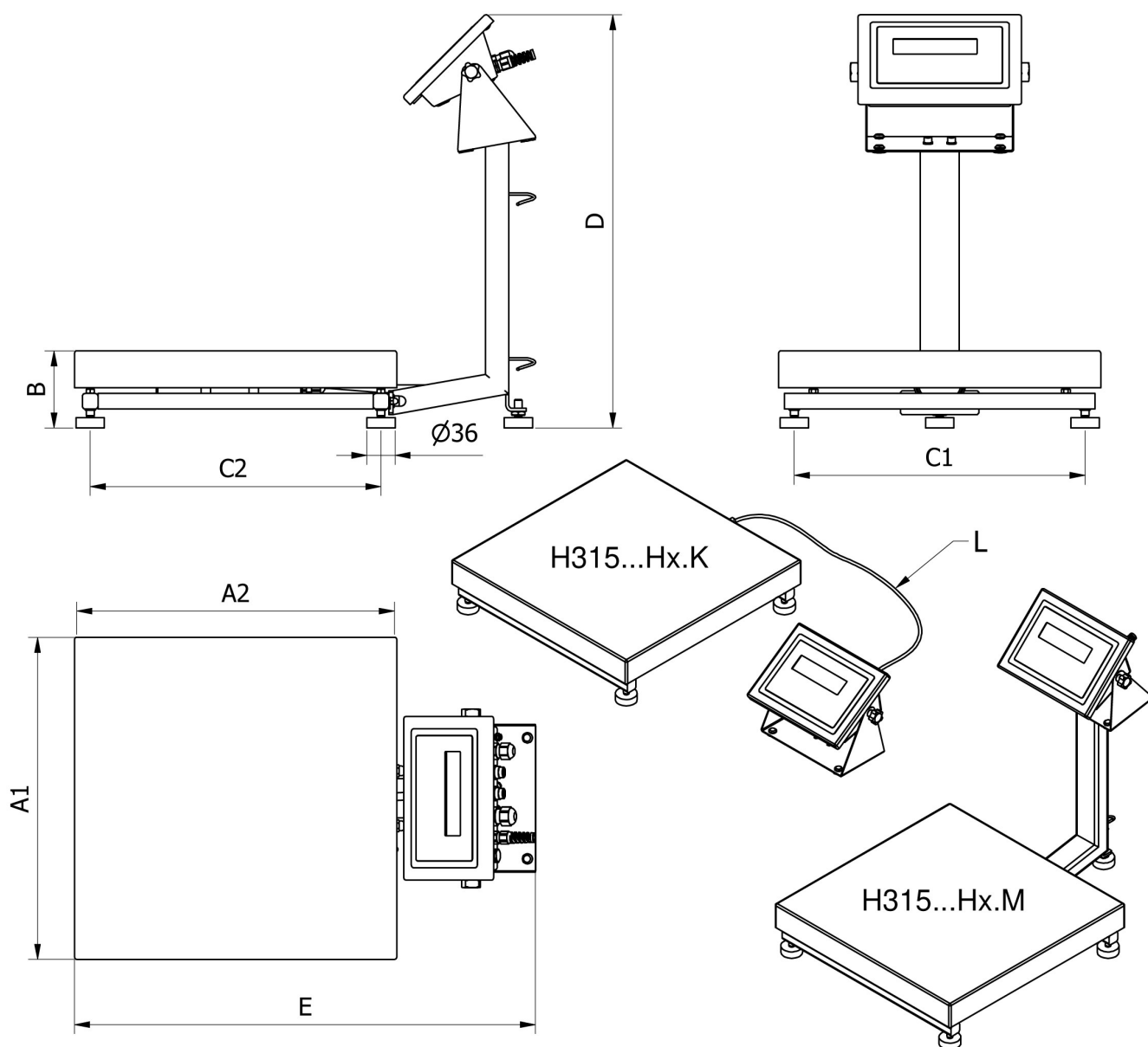
RS 232 – Ethernet Converter  
 USB adapter  
 Receipt Printer  
 USB cable (scale - printer)  
 Stands, wall mounting kits and mounting brackets  
 RS 232 – USB Converter  
 Roller table

## Software (Additional Fee)

• RAD Key [WX-010-0005]

• Scale Editor - EWAG 2.1 [WX-010-0173]

## Device dimensions W x D x H



		A1	A2	B	C1	C2	D	E	L
H135...H1.M	150 x 200	152	202	$87 \pm 3$	110	190	~443	~361	
H135...H1.K	150 x 200	152	202	$87 \pm 3$	110	146	-	-	1,5m
H315...H2.M	250 x 300	246	306	$104 \pm 3$	208	268	~525	~483	
H315...H2.K	250 x 300	246	306	$104 \pm 3$	208	268	-	-	1,5m
H315...H3.M	410 x 410	410	410	$98 \pm 2$	370	370	~525	~587	
H315...H3.K	410 x 410	410	410	$98 \pm 2$	370	370	-	-	2,5m
H315...H4.M	500 x 500	497	497	$155 \pm 5$	400	400	~767	~650	
H315...H4.K	500 x 500	497	497	$155 \pm 5$	400	400	-	-	2,5m
H315...H3/5.M	400 x 600	597	397	$155 \pm 5$	500	300	~767	~550	
H315...H3/5.K	400 x 600	597	397	$155 \pm 5$	500	300	-	-	2,5m
H315...H5.M	600 x 600	597	597	$155 \pm 5$	500	500	~767	~750	
H315...H5.K	600 x 600	597	597	$155 \pm 5$	500	500	-	-	2,5m
H315...H6.M	800 x 800	799	799	$135 \pm 5$	720	740	~773	~976	
H315...H6.K	800 x 800	799	799	$135 \pm 5$	720	740	-	-	2,5m