



More information on the website  
[mirror.radwag.com/en/info,w1,B9V](http://mirror.radwag.com/en/info,w1,B9V)

# HX7.15.HR3/5 Multifunctional Scale

WP-122-0042



The drawings, photos and graphics used are for illustrative purposes only.

## Functions



Dosing



Percent Weighing



Parts counting



Formulation



Replaceable unit



ALIBI Memory

## Datasheet

### Metrological parameters

Maximum capacity [Max]	15 kg
Minimum load	100 g
Readability [d]	5 g
Verification unit [e]	5 g
Tare range	-15 kg
Max readability for non-verified scale	0.5 g
OIML Class	III

### Physical parameters

Display	7" graphic colour
---------	-------------------

<b>Physical parameters</b>	
Weighing pan dimensions	400×600 mm
Packaging dimensions W x D x H	490×680×450 mm
Net weight	22.5 kg
Gross weight	26.8 kg
<b>Construction</b>	
Protection class	IP 66 / 67 / 69 construction, IP 68 / 69 cell, IP 66 / 67 / 69 terminal
Keypad	membrane
Construction	Stainless steel AISI316
Weighing pan material	Stainless steel AISI316
<b>Communication interface</b>	
Communication interface	RS232, USB-A, 4IN, 4OUT, Ethernet, Modbus TCP/IP
Optional interfaces	USB (M12 4P), RS485, RS232, Profibus (Dp SLAVE), PROFINET (RJ45), EtherNet/IP (RJ45), 12 IN / 12 OUT, 4-20mA, 0-10V
<b>Electrical parameters</b>	
Power supply	100 – 240 V AC 50/60 Hz
Power consumption max.	25 W
Optional power supply	12 – 24 V DC
<b>Environmental conditions</b>	
Operating temperature	-10 – +40 °C
Storage temperature	-10 – +50 °C
Relative humidity	10% – 80% RH no condensation
Indicator	PUE HX7
Number of buttons	22
<b>Features of use</b>	
Max number of platforms	2



Additional fee for verification



## Accessories (Additional Fee)

AP2-4 Current Loop Unit  
 RS 232 cables (scale - printer)  
 Roller Table  
 RS 232 cables (scale - ZEBRA printer)  
 Antivibration Tables  
 Displays  
 Power Adapters  
 RS 232, RS 485 cables  
 USB cable (scale - printer)  
 IN/OUT Cables

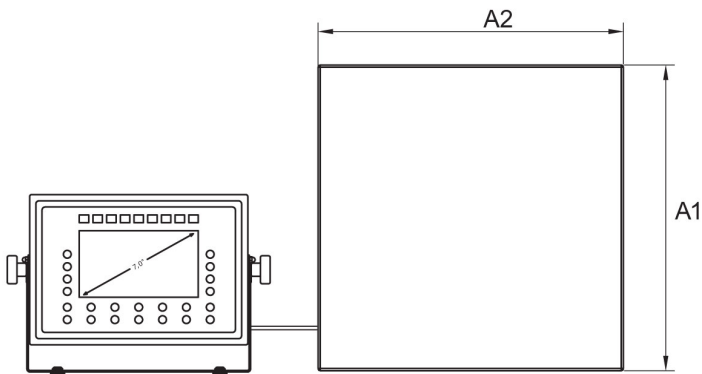
Barcode scanners  
 Label Printers  
 Stands, wall mounting kits and mounting brackets  
 Keypad, external switches  
 USB adapter  
 Receipt Printer  
 Additional Weighing platforms Module  
 RS 232 – USB Converter  
 Additional modules

## Software (Additional Fee)

- E2R Weighing [WX-010-0099]
- Label Editor R02 [WX-010-0094]
- R-Lab [WX-010-0080]

- RAD Key [WX-010-0005]
- Alibi Reader [WX-010-0114]
- Scale Editor 2.1 [WX-010-0173]

## Device dimensions W x D x H



	A1	A2	B
HX7.HR2	250	300	103±3
HX7.HR3	410	410	98±2
HX7.HR4	500	500	155±5
HX7.HR3/5	400	600	155±5
HX7.HR5	600	600	155±5

HR Platform



PUE HX7