



More information on the website  
[mirror.radwag.com/en/info,w1,B97](http://mirror.radwag.com/en/info,w1,B97)

# KIT 128 Density Determination Kit

WX-002-0001



The drawings, photos and graphics used are for illustrative purposes only.

## Overview

KIT 128 is a density determination kit intended for laboratory balances featuring 128x128 weighing pan.

This stainless steel accessory allows determining density of:

solids, liquids.

For testing granulates of density value higher or lower than 1 g/cm<sup>3</sup> use KIT 85.

## Compatible with (Additional Fee)

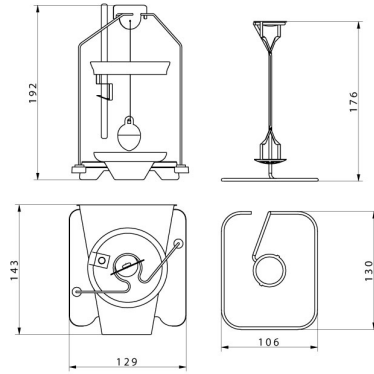
PS 5Y Balances for PGC  
 PS X7 Precision Balance  
 PS 5Y Precision Balance

PS R1 Precision Balance  
 PS X7 Balances for PGC  
 PS R2 Precision Balance

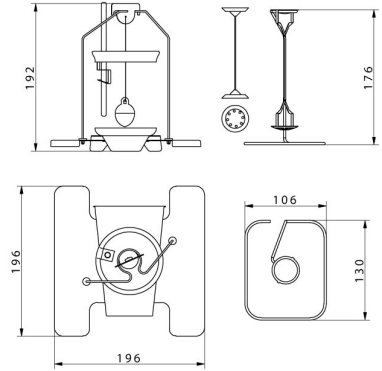
# Device dimensions W x D x H



KIT 85



KIT 128



KIT 195



KIT 195.M



Granulte density determination KIT