



More information on the website
mirror.radwag.com/en/info,w1,B97

KIT 128 Density Determination Kit

WX-002-0001



The drawings, photos and graphics used are for illustrative purposes only.

Overview

KIT 128 is a density determination kit intended for laboratory balances featuring 128x128 weighing pan.

This stainless steel accessory allows determining density of:

solids, liquids.

For testing granulates of density value higher or lower than 1 g/cm³ use KIT 85.

Compatible with (Additional Fee)

PS 5Y Balances for PGC
 PS X7 Precision Balance
 PS 5Y Precision Balance
 PS X2 Precision Balance

PS R1 Precision Balance
 PS X7 Balances for PGC
 PS R2 Precision Balance
 PS X2 Balances for PGC

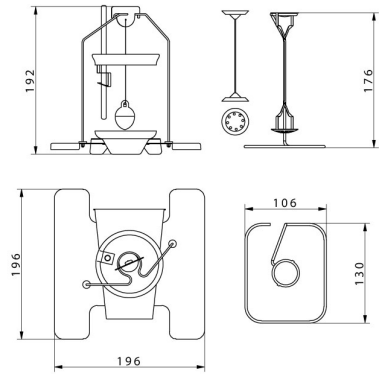
Device dimensions



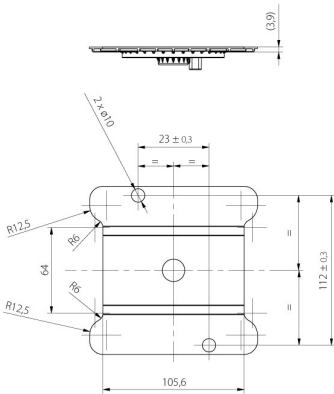
KIT 85



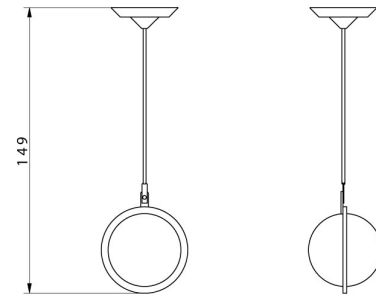
KIT 128



KIT 195



KIT 195.M



Granulte density
determination KIT