



More information on the website  
[mirror.radwag.com/en/info,w1,APS](http://mirror.radwag.com/en/info,w1,APS)

# HX7.15.H5 Multifunctional Scale

WP-122-0022



The drawings, photos and graphics used are for illustrative purposes only.

## Functions



Dosing



Percent Weighing



Parts counting



Formulation



Replaceable unit



ALIBI Memory

## Datasheet

### Metrological parameters

Maximum capacity [Max]	15 kg
Minimum load	100 g
Readability [d]	5 g
Verification unit [e]	5 g
Tare range	-15 kg
Max readability for non-verified scale	0.5 g
OIML Class	III

### Physical parameters

Display	7" graphic colour
---------	-------------------

Physical parameters	
Weighing pan dimensions	600×600 mm
Packaging dimensions W x D x H	710×710×550 mm
Net weight	23.4 kg
Gross weight	28.2 kg
Construction	
Protection class	IP 66 / 67 construction, IP 66 / 67 terminal
Keypad	membrane
Construction	Stainless steel AISI304
Weighing pan material	Stainless steel AISI304
Communication interface	
Communication interface	RS232, USB-A, 4IN, 4OUT, Ethernet, Modbus RTU
Optional interfaces	USB (M12 4P), Ethernet, module RS485, module RS232, module Profibus (Dp SLAVE), PROFINET (RRJ45), EtherNet/IP (RRJ45), 12 IN, 12 OUT, 4-20mA, 0-10V
Electrical parameters	
Power supply	100 – 240 V AC 50/60 Hz
Power consumption max.	25 W
Optional power supply	12 – 24 V DC
Environmental conditions	
Operating temperature	-10 – +40 °C
Storage temperature	-10 – +50 °C
Relative humidity	10% – 80% RH no condensation
Indicator	PUE HX7
Number of buttons	22
Features of use	
Max number of platforms	2



Additional fee for verification



## Accessories (Additional Fee)

AP2-3 Current Loop Unit  
 RS 232 cables (scale - printer)  
 Roller Table  
 RS 232 cables (scale - ZEBRA printer)  
 Antivibration Tables  
 Displays  
 Power Adapters  
 RS 232, RS 485 cables  
 USB cable (scale - printer)  
 IN/OUT Cables

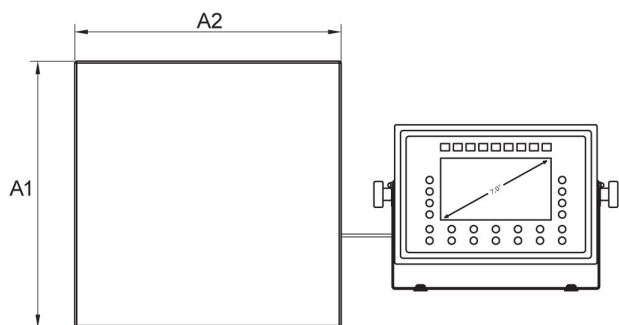
Barcode scanners  
 Label Printers  
 Stands, wall mounting kits and mounting brackets  
 Keypad, external switches  
 USB adapter  
 Receipt Printer  
 Additional Weighing platforms Module  
 RS 232 – USB Converter  
 Additional modules

## Software (Additional Fee)

- E2R Weighing [WX-010-0099]
- Label Editor R02 [WX-010-0094]

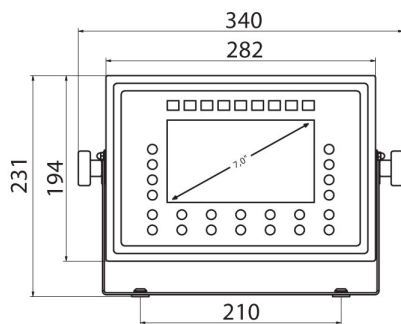
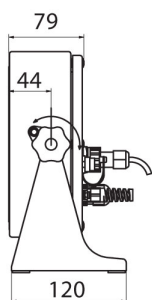
- RAD Key [WX-010-0005]
- Alibi Reader [WX-010-0114]

## Device dimensions W x D x H



H Platform

	A1	A2	H
HX7.H1	200	150	85±3
HX7.H2	250	300	103±3
HX7.H3	410	410	98±2
HX7.H4	500	500	155±5
HX7.H3/5	400	600	155±5
HX7.H5	600	600	155±5
HX7.H6	800	800	135±5



PUE HX7