



More information on the website
mirror.radwag.com/it/info,w1,9VJ

Anti-Draft Chamber for Microbalances



The drawings, photos and graphics used are for illustrative purposes only.

Specifiche

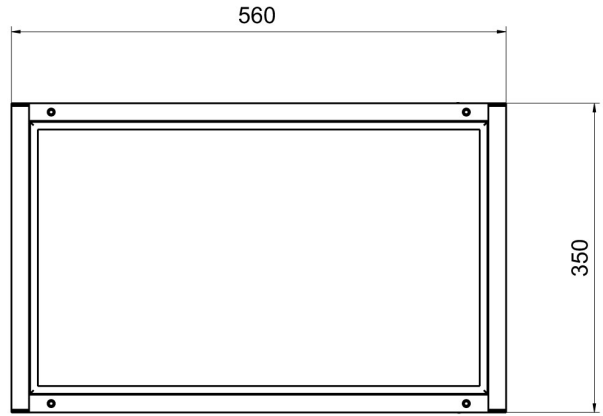
Parametri fisici	
Dimensioni	560x350x252 mm
Dimensioni del pacco	695x485x385 mm
Peso netto	7,6 kg
Peso lordo	10,9 kg

Compatibile con

Moduli MU YA
 Microbilancia per la calibrazione delle pipette XA 5Y.M.A.P
 Microbilancia per la calibrazione delle pipette MYA 5Y.P
 Microbilancia per filtri MYA 5Y.F

Microbilancia XA 5Y.M.A
 Microbilancia MYA 5Y
 Microbilancia XA 5Y.M
 Microbilancia per stent XA 5Y.M.A.S

Device dimensions





Anti-draft chamber for balances with 128x128 mm weighing pan

Anti-draft chamber for X2 and R2 precision balances



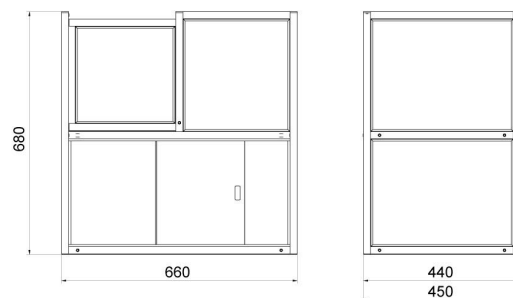
Anti-draft chamber for microbalances



Draft shield for precision balances



Anti-draft chamber for APP-00-SK mass comparators



Anti-draft chamber for APP-KO-SK mass comparators



Anti-draft chamber for WAY-KO mass comparators



Anti-draft chamber for XA 5Y / XA 5Y.A balances