



More information on the website  
[mirror.radwag.com/en/info,w1,9VJ](https://mirror.radwag.com/en/info,w1,9VJ)

# Anti-Draft Chamber for Microbalances



The drawings, photos and graphics used are for illustrative purposes only.

## Datasheet

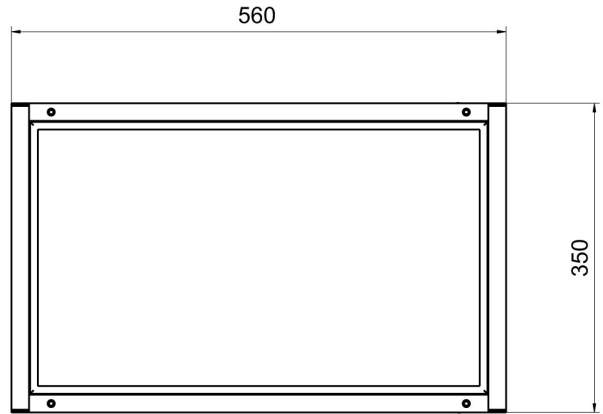
Physical parameters	
Dimension	560x350x252 mm
Packaging dimensions	695x485x385 mm
Net weight	7.6 kg
Gross weight	10.9 kg

## Compatible with

MUYA Modules  
 XA 5Y.M.A.P Microbalance for pipettes calibration  
 MYA 5Y.P Microbalance for pipettes calibration  
 MYA 5Y.F Microbalance for Filters

XA 5Y.M.A Microbalance  
 MYA 5Y Microbalance  
 XA 5Y.M Microbalance  
 XA 5Y.M.A.S Microbalance for stents weighing

## Device dimensions





Anti-draft chamber for balances with 128x128 mm weighing pan

Anti-draft chamber for X2 and R2 precision balances



Anti-draft chamber for microbalances



Draft shield for precision balances



Anti-draft chamber for APP-00-SK mass comparators



Anti-draft chamber for APP-KO-SK mass comparators



Anti-draft chamber for WAY-KO mass comparators



Anti-draft chamber for XA 5Y / XA 5Y.A balances