



More information on the website
mirror.radwag.com/en/info,w1,9VJ

Anti-Draft Chamber for Microbalances



The drawings, photos and graphics used are for illustrative purposes only.

Datasheet

Physical parameters

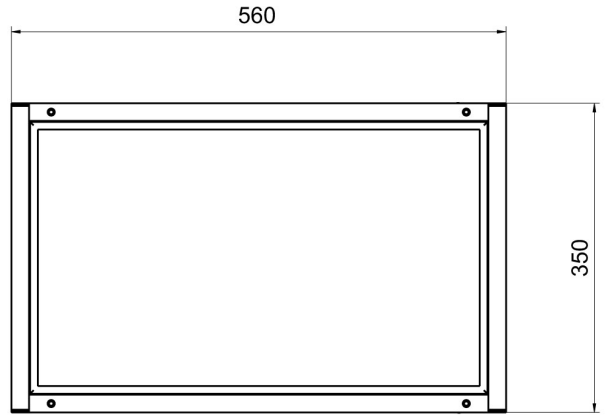
| | |
|----------------------|----------------|
| Dimension | 560x350x252 mm |
| Packaging dimensions | 695x485x385 mm |
| Net weight | 7.6 kg |
| Gross weight | 10.9 kg |

Compatible with

MUYA Modules
 XA 5Y.M.A.P Microbalance for pipettes calibration
 MYA 5Y.P Microbalance for pipettes calibration
 MYA 5Y.F Microbalance for Filters

XA 5Y.M.A Microbalance
 MYA 5Y Microbalance
 XA 5Y.M Microbalance
 XA 5Y.M.A.S Microbalance for stents weighing

Device dimensions



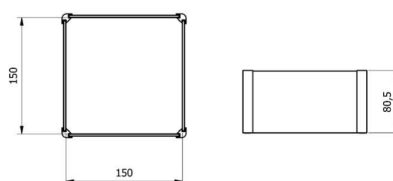


Anti-draft chamber for balances with 128x128 mm weighing pan

Anti-draft chamber for X2 and R2 precision balances



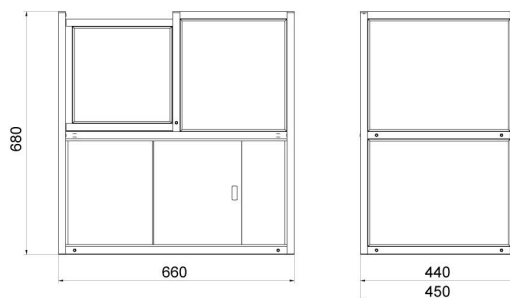
Anti-draft chamber for microbalances



Draft shield for precision balances



Anti-draft chamber for APP-00-SK mass comparators



Anti-draft chamber for APP-KO-SK mass comparators



Anti-draft chamber for WAY-KO mass comparators



Anti-draft chamber for XA 5Y / XA 5Y.A balances