



More information on the website  
[mirror.radwag.com/us/info,w1,9SH](http://mirror.radwag.com/us/info,w1,9SH)

# HY10.150.C3.K Multifunctional Scale

WP-116-0009



The drawings, photos and graphics used are for illustrative purposes only.

## Functions

-  Dosing
-  Labelling
-  Plus/Minus Control
-  Percent Weighing
-  Totalizing
-  Parts counting
-  Peak hold
-  Formulation
-  Newton unit measurement
-  Statistics
-  Checkweighing
-  GLP Procedures
-  Animal weighing
-  Differential weighing
-  Replaceable unit
-  Statistical Quality Control
-  ALIBI Memory
-  Transactions

## Datasheet

| Metrological parameters |        |
|-------------------------|--------|
| Maximum capacity [Max]  | 150 kg |
| Minimum load            | 1 kg   |
| Readability [d]         | 50 g   |
| Verification unit [e]   | 50 g   |

| Metrological parameters                |   |
|--|---|
| Tare range                             | -150 kg   |
| Max readability for non-verified scale | 5 g   |
| Adjustment                             | external  |
| OIML Class                             | III   |
| Physical parameters                    |   |
| Display                                | 10,1" graphic colour touchscreen  |
| Cable length                           | 2,5 m   |
| Weighing pan dimensions                | 500×700 mm  |
| Packaging dimensions W x D x H         | 800×950×270 mm  |
| Net weight                             | 25 kg   |
| Gross weight                           | 28 kg   |
| Construction                           |   |
| Protection class                       | IP 65 construction, IP 66 / 67 / 69 terminal  |
| Communication interface                |   |
| Communication interface                | 2×RS232, 2×USB-A, Ethernet, 4 IN / 4 OUT (digital)  |
| Optional interfaces                    | module Wi-Fi 802.11 b/g/n, module Profibus (DP SLAVE), module RS485, module PROFINET (RJ45), analog output module (4-20mA, 0-20mA, 0-10V) , 12IN / 12OUT (IN – 5-24 VDC, OUT – max 30 VDC, 0,5 ADC) |
| Electrical parameters                  |   |
| Power supply                           | 100 – 240 V AC 50/60 Hz   |
| Environmental conditions               |   |
| Operating temperature                  | -10 – +40 °C  |
| Relative humidity                      | 10% – 85% RH no condensation  |

\* Wi-Fi® is a registered trademark of Wi-Fi® Alliance.



Additional fee for verification



## Accessories (Additional Fee)

AP2-4 Current Loop Unit  
 RS 232 cables (scale - printer)  
 Transponder card readers  
 RS 232 cables (scale - ZEBRA printer)  
 Ethernet cables (scale - Ethernet)  
 Displays  
 RS 232, RS 485 cables  
 IN/OUT Cables  
 Barcode scanners

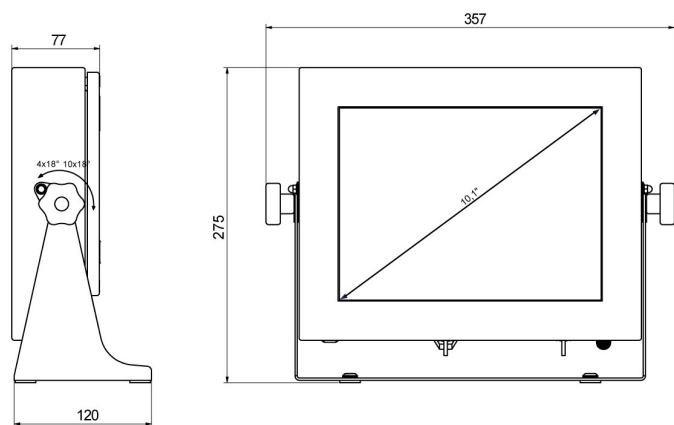
Label Printers  
 Stands, wall mounting kits and mounting brackets  
 Keypad, external switches  
 Receipt Printer  
 F1 Mass Standard -  
 knob weights without adjustment chamber, set  
 USB cable (scale - printer)  
 Additional Weighing platforms Module  
 Additional modules  
 RS 232 – USB Converter

## Software (Additional Fee)

- E2R Weighing [WX-010-0099]
- Audit Trail Reader [WX-010-0186]

- RAD Key [WX-010-0005]
- Label Editor R02 [WX-010-0094]

## Device dimensions W x D x H



**PUE HY10**

| Scale type | A1  | A2  | H      |
|------------|-----|-----|--------|
| HY10.C2.K  | 400 | 500 | 103 ±3 |
| HY10.C3.K  | 500 | 700 | 130 ±3 |
| HY10.F1.K  | 300 | 300 | 70 ±3  |

dimensions in mm