



More information on the website
mirror.radwag.com/en/info,w1,9P0

PS 4500.R1.M Precision Balance

WL-213-0078



The drawings, photos and graphics used are for illustrative purposes only.

Functions

-  Autotest
-  Dosing
-  Percent Weighing
-  Totalizing
-  Parts counting
-  Peak hold
-  Newton unit measurement
-  Statistics
-  Checkweighing
-  Under-pan weighing
-  GLP Procedures
-  Animal weighing
-  Density determination

Datasheet

Metrological parameters	
Maximum capacity [Max]	4500 g
Minimum load	0.5 g
Readability [d]	0.01 g
Tare range	-4500 g
Repeatability (Max)	0.008 g
Repeatability (5% Max)	0.005 g

Metrological parameters	
Linearity	±0.02 g
Stabilization time	1.5 s
Adjustment	external
Sensitivity temperature drift	$2 \times 10^{-6} / ^\circ\text{C} \times \text{Rt}$
Physical parameters	
Leveling system	manual
Display	5.3" LCD (backlit)
Delivery components	Balance, weighing pan, weighing pan shield, power supply
Weighing pan dimensions	195×195 mm
Device dimensions W x D x H	333x206x107 mm
Packaging dimensions W x D x H	475x380x345 mm
Net weight	4.2 kg
Gross weight	5.5 kg
Construction	
Protection class	IP 43
Communication interface	
Communication interface	2×RS232 ¹ , USB-A, USB-B, Wi-Fi (option)
Electrical parameters	
Power supply	Adapter: 100 – 240V AC 50/60Hz 0.6A; 12V DC 1.2A Balance: 12 – 15V DC 0.4A max
Power consumption max.	4 W
Power consumption	4 W
Environmental conditions	
Operating temperature	+10 – +40 °C
Storage temperature	-20 – +50 °C
Relative humidity	40% – 80%

Repeatability is expressed as a standard deviation from 10 weighing cycles.

Stabilization time depends on the ambient conditions and the dynamics of weighing pan loading; specified for FAST profile.

¹ Barcode scanners, available as weighing instrument accessory, communicate with the instrument via RS232 interface exclusively.

* Wi-Fi® is a registered trademark of Wi-Fi® Alliance.



Accessories (Additional Fee)

Balance Storage Case
 Antivibration Tables
 Power Adapters
 Cigarette lighter receptacle power supply cables
 USB cable (scale - printer)
 Barcode scanners
 RS 232, RS 485 cables

Displays
 Density determination KIT
 Protective cover for balances
 Receipt Printer
 Under-pan weighing
 RS 232 cables (scale - printer)

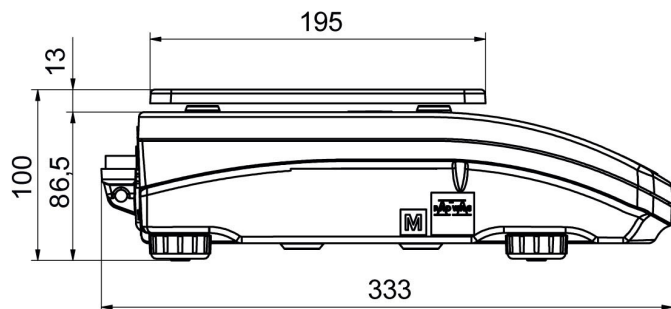
Software (Additional Fee)

- RAD Key [WX-010-0005]
- Alibi Reader [WX-010-0114]
- RADWAG Development Studio [WX-010-0104]
- R-Panel [WX-010-0187]
- R-Lab [WX-010-0080]

Device dimensions W x D x H



PS R, d = 1 mg



PS R, d = 10 mg



PS R.M, d = 10 mg

