



More information on the website
mirror.radwag.com/en/info,w1,8HT

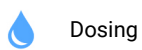
HX7.4.600.C8/9 Multifunctional Platform Scale

WP-224-0013



The drawings, photos and graphics used are for illustrative purposes only.

Functions



Dosing



Percent Weighing



Parts counting



Formulation



Replaceable unit



ALIBI Memory

Datasheet

Metrological parameters	
Maximum capacity [Max]	600 kg
Minimum load	4 kg
Readability [d]	200 g
Verification unit [e]	200 g
Tare range	-600 kg
Max readability for non-verified scale	50 g
OIML Class	III

Physical parameters	
Display	7" graphic colour
Cable length	3 m
Weighing pan dimensions	1200×1500 mm
Packaging dimensions W x D x H	1600×1300×500 mm
Net weight	139.7 kg
Gross weight	174.3 kg
Construction	
Protection class	IP 65 construction, IP 67 cell, IP 66 / 67 terminal
Keypad	membrane
Construction	mild steel St3S
Communication interface	
Communication interface	RS232, USB-A, 4IN, 4OUT, Ethernet, Modbus RTU
Optional interfaces	USB (M12 4P), Ethernet, module RS485, module RS232, module Profibus (Dp SLAVE), PROFINET (RRJ45), EtherNet/IP (RRJ45), 12 IN, 12 OUT, 4-20mA, 0-10V
Electrical parameters	
Power supply	100 – 240 V AC 50/60 Hz
Power consumption max.	25 W
Optional power supply	12 – 24 V DC
Environmental conditions	
Operating temperature	-10 – +40 °C
Storage temperature	-10 – +50 °C
Relative humidity	10% – 80% RH no condensation
Indicator	PUE HX7
Number of buttons	22
Features of use	
Max number of platforms	2



Additional fee for verification



Accessories (Additional Fee)

RS 232 cables (scale - printer)
 RS 232 cables (scale - ZEBRA printer)
 Displays
 Power Adapters
 Frame for embedded scales
 RS 232, RS 485 cables
 USB cable (scale - printer)
 Ramps
 IN/OUT Cables

Barcode scanners
 Label Printers
 Stands, wall mounting kits and mounting brackets
 Keypad, external switches
 USB adapter
 Receipt Printer
 Additional Weighing platforms Module
 RS 232 – USB Converter
 Additional modules

Software (Additional Fee)

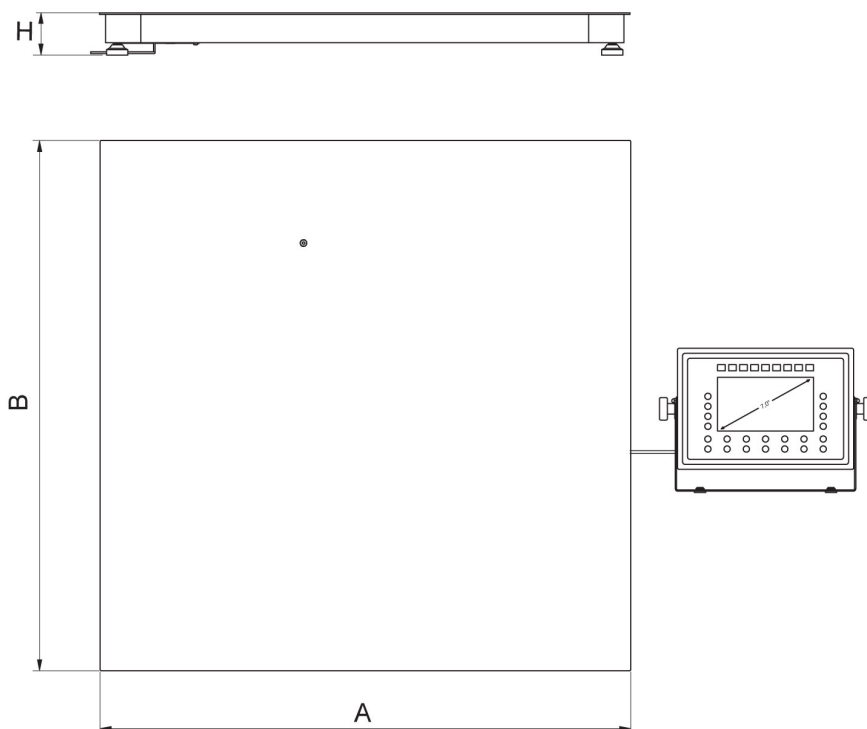
• E2R Weighing [WX-010-0099]

• RAD Key [WX-010-0005]

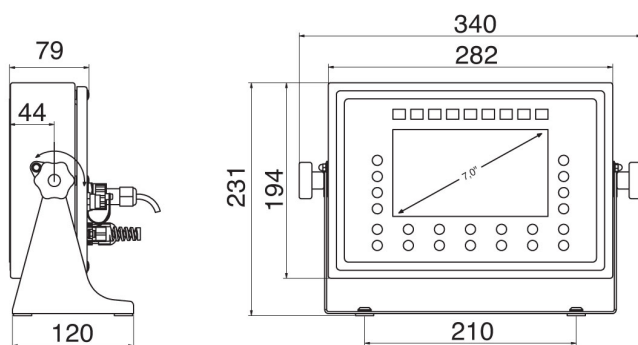
- Label Editor R02 [WX-010-0094]
- R-Lab [WX-010-0080]
- RADWAG Development Studio [WX-010-0104]

- Alibi Reader [WX-010-0114]
- Scale Editor 2.1 [WX-010-0173]

Device dimensions W x D x H



C Platform



	A	B	H
HX7.4.C6	800	800	120 ±10
HX7.4.C7	1000	1000	120 ±10
HX7.4.C8	1200	1200	120 ±10
HX7.4.C8/9	1200	1500	120 ±10
HX7.4.C9	1500	1500	120 ±10
HX7.4.C10	1500	2000	120 ±10
HX7.4.C11	2000	2000	120 ±10
HX7.4.C10*	1500	2000	160 ±10
HX7.4.C11*	2000	2000	160 ±10

* scales: 3000/6000 kg and 6000 kg
dimensions in mm

PUE HX7