



More information on the website
mirror.radwag.com/tr/info,w1,8F2

KIT 85 Yoğunluk Tespit Kiti

WX-001-0001



The drawings, photos and graphics used are for illustrative purposes only.

Genel Açıklama

KIT 85 is a density determination kit intended for laboratory balances featuring a weighing pan with $\varnothing 85$ and $\varnothing 100$ mm.

This stainless steel accessory allows determining density of:

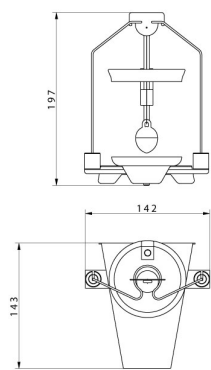
solids; liquids.

İle uyumlu (Additional Fee)

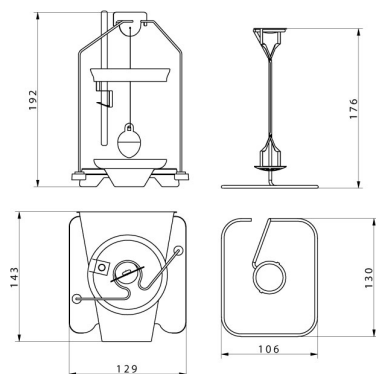
AS X7 Analitik Teraziler
XA 5Y.A Analitik Terazi
AS 5Y Analitik Teraziler
Filtreleri için Analitik Terazi XA 5Y.F

XA 5Y Analitik Terazi
AS R2 PLUS Analitik Teraziler
AS R1 PLUS Analitik Teraziler

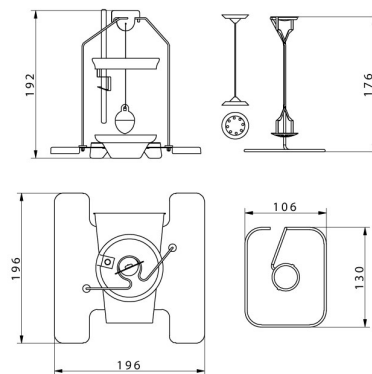
Cihaz boyutları G x D x Y



KIT 85



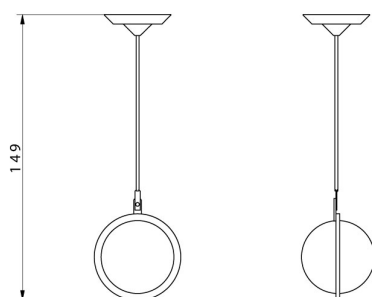
KIT 128



KIT 195



KIT 195.M



Granulte density
determination KIT