



More information on the website
mirror.radwag.com/en/info,w1,8F2

KIT 85 Density Determination Kit

WX-001-0001



The drawings, photos and graphics used are for illustrative purposes only.

Overview

KIT 85 is a density determination kit intended for laboratory balances featuring a weighing pan with $\varnothing 85$ and $\varnothing 100$ mm.

This stainless steel accessory allows determining density of:

solids; liquids.

Compatible with (Additional Fee)

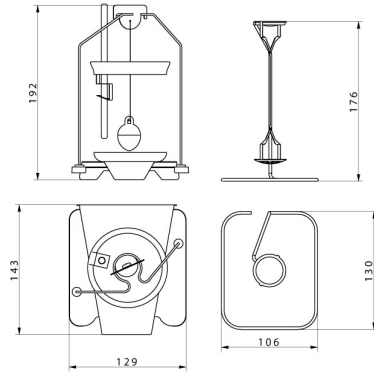
AS X7 Analytical Balance
 XA 5Y.A Analytical Balance
 AS 5Y Analytical Balance
 XA 5Y.F Analytical Balance for Filters

XA 5Y Analytical Balance
 AS R2 PLUS Analytical Balance
 AS R1 PLUS Analytical Balance

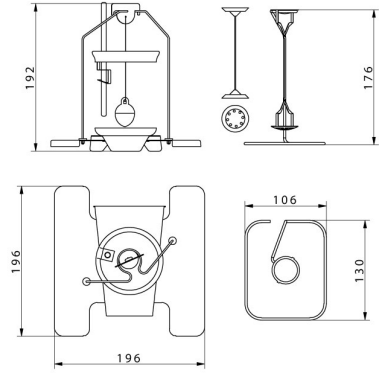
Device dimensions W x D x H



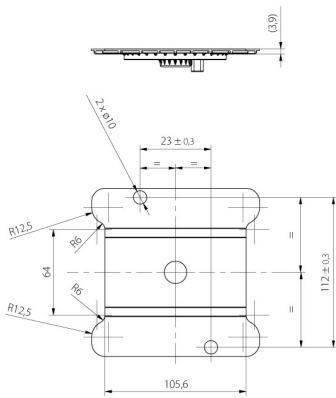
KIT 85



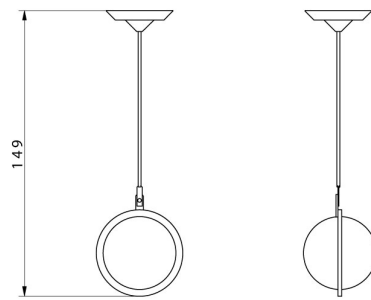
KIT 128



KIT 195



KIT 195.M



Granulte density determination KIT