



More information on the website  
[mirror.radwag.com/en/info,w1,893](https://mirror.radwag.com/en/info,w1,893)

## PLC/4/1500/C8 Platform



The drawings, photos and graphics used are for illustrative purposes only.

### Datasheet

| Metrological parameters  |                 |
|--------------------------|-----------------|
| Maximum capacity [Max]   | 1500 kg         |
| Readability [d]          | 500 g           |
| Construction             |                 |
| Protection class         | IP 65           |
| Construction             | mild steel St3S |
| Weighing pan material    | mild steel St3S |
| Physical parameters      |                 |
| Weighing pan dimensions  | 1200×1200 mm    |
| Weighing platform height | 120 ±10 mm      |



### Accessories

PUE CY10 Weighing Terminal  
CY10 Multifunctional Scale  
PUE 5 Weighing Terminal  
CY10 Precision Balance  
PUE C32 Weighing Terminal

PUE 7.1 Weighing Terminal  
PUE HX7 Weighing Terminal  
PUE C315 Weighing Terminal  
PUE HY10 Weighing Terminal  
PUE H315 Weighing Terminal

## Device dimensions



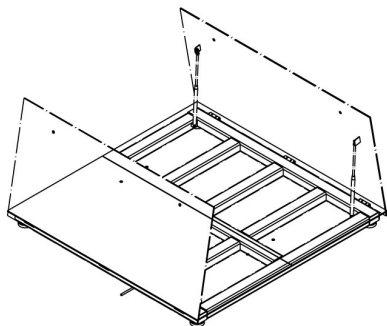
| Platform   | A    | B    | H       |
|------------|------|------|---------|
| PLC/4/C6   | 800  | 800  | 120 ±10 |
| PLC/4/C7   | 1000 | 1000 | 120 ±10 |
| PLC/4/C8   | 1200 | 1200 | 120 ±10 |
| PLC/4/C8/9 | 1200 | 1500 | 120 ±10 |
| PLC/4/C9   | 1500 | 1500 | 120 ±10 |
| PLC/4/C10  | 1500 | 2000 | 120 ±10 |
| PLC/4/C11  | 2000 | 2000 | 120 ±10 |

dimensions in mm

PLC/4/C



PL/4/H6/Z  
 PL/4/H7/Z  
 PL/4/H8/Z



PL/4/H8/9/Z  
 PL/4/H9/Z  
 PL/4/H10/Z



| Platform  | A    | B    | H      |
|-----------|------|------|--------|
| PL/4/H6   | 800  | 800  | 88 ±2  |
| PL/4/H7   | 1000 | 1000 | 88 ±2  |
| PL/4/H8   | 1200 | 1200 | 88 ±2  |
| PL/4/H8/9 | 1200 | 1500 | 88 ±2  |
| PL/4/H9   | 1500 | 1500 | 88 ±2  |
| PL/4/H10  | 1500 | 2000 | 111 ±2 |

dimensions in mm

PL/4/H



| Platform    | A    | B    | H      |
|-------------|------|------|--------|
| PL/4/H6/Z   | 800  | 800  | 88 ±2  |
| PL/4/H7/Z   | 1000 | 1000 | 88 ±2  |
| PL/4/H8/Z   | 1200 | 1200 | 88 ±2  |
| PL/4/H8/9/Z | 1200 | 1500 | 88 ±2  |
| PL/4/H9/Z   | 1500 | 1500 | 88 ±2  |
| PL/4/H10/Z  | 1500 | 2000 | 111 ±2 |

dimensions in mm

PL/4/H/Z