



More information on the website
mirror.radwag.com/en/info,w1,7QJ

HX7.4N.300.H2.LD Multifunctional Stainless Steel Ramp Scale

WP-227-0018



The drawings, photos and graphics used are for illustrative purposes only.

Functions



Dosing



Percent Weighing



Parts counting



Formulation



Replaceable unit



ALIBI Memory

Datasheet

| Metrological parameters | |
|--|---------|
| Maximum capacity [Max] | 300 kg |
| Minimum load | 2 kg |
| Readability [d] | 100 g |
| Verification unit [e] | 100 g |
| Tare range | -300 kg |
| Max readability for non-verified scale | 50 g |
| OIML Class | III |

| Physical parameters | |
|--------------------------------|---|
| Display | 7" graphic colour |
| Cable length | 3 m |
| Weighing pan dimensions | 1100×1200 mm |
| Packaging dimensions W x D x H | 1640×1590×580 mm |
| Net weight | 175 kg |
| Gross weight | 284 kg |
| Construction | |
| Protection class | IP 66 / 69 construction, IP 66 / 67 terminal |
| Keypad | membrane |
| Construction | Stainless steel AISI304 |
| Communication interface | |
| Communication interface | RS232, USB-A, 4IN, 4OUT, Ethernet, Modbus RTU |
| Optional interfaces | USB (M12 4P), Ethernet, module RS485, module RS232, module Profibus (Dp SLAVE), PROFINET (RRJ45), EtherNet/IP (RRJ45), 12 IN, 12 OUT, 4-20mA, 0-10V |
| Electrical parameters | |
| Power supply | 100 – 240 V AC 50/60 Hz |
| Power consumption max. | 25 W |
| Optional power supply | 12 – 24 V DC |
| Environmental conditions | |
| Operating temperature | -10 – +40 °C |
| Storage temperature | -10 – +50 °C |
| Relative humidity | 10% – 80% RH no condensation |
| Indicator | PUE HX7 |
| Number of buttons | 22 |
| Features of use | |
| Max number of platforms | 2 |



Additional fee for verification



Accessories (Additional Fee)

RS 232 cables (scale - printer)
 RS 232 cables (scale - ZEBRA printer)
 Displays
 Power Adapters
 RS 232, RS 485 cables
 USB cable (scale - printer)
 IN/OUT Cables
 Barcode scanners

Label Printers
 Stands, wall mounting kits and mounting brackets
 Keypad, external switches
 USB adapter
 Receipt Printer
 Additional Weighing platforms Module
 RS 232 – USB Converter
 Additional modules

Software (Additional Fee)

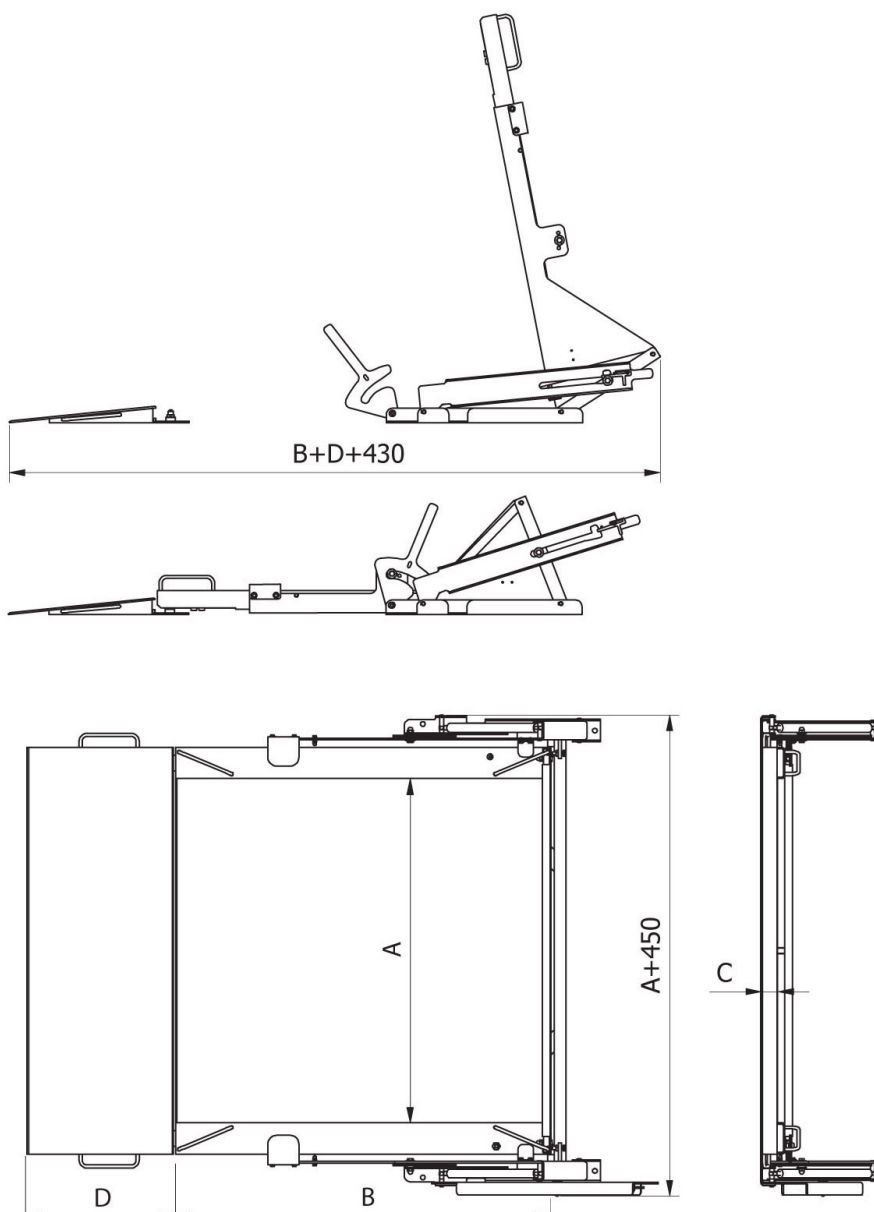
• E2R Weighing [WX-010-0099]
 • Label Editor R02 [WX-010-0094]

• RAD Key [WX-010-0005]
 • Alibi Reader [WX-010-0114]

- R-Lab [WX-010-0080]
- RADWAG Development Studio [WX-010-0104]

- Scale Editor 2.1 [WX-010-0173]

Device dimensions W x D x H



| | A [mm] | B [mm] | C [mm] | D [mm] |
|-------------------|--------|--------|--------|--------|
| HX7.4N.150.H1.LD | 840 | 860 | 45 | 426 |
| HX7.4N.300.H1.LD | 840 | 860 | 45 | 426 |
| HX7.4N.600.H1.LD | 840 | 860 | 45 | 426 |
| HX7.4N.150.H2.LD | 1100 | 1200 | 45 | 426 |
| HX7.4N.300.H2.LD | 1100 | 1200 | 45 | 426 |
| HX7.4N.600.H2.LD | 1100 | 1200 | 45 | 426 |
| HX7.4N.300.H3.LD | 1200 | 1500 | 45 | 426 |
| HX7.4N.600.H3.LD | 1200 | 1500 | 45 | 426 |
| HX7.4N.1500.H2.LD | 1100 | 1200 | 52 | 476 |
| HX7.4N.1500.H3.LD | 1200 | 1500 | 52 | 476 |
| HX7.4N.300.H4.LD | 1500 | 1500 | 52 | 476 |
| HX7.4N.600.H4.LD | 1500 | 1500 | 52 | 476 |
| HX7.4N.1500.H4.LD | 1500 | 1500 | 52 | 476 |