



HY10.62.HRP.M2.2 High Resolution Scale

WP-330-0018

More information on the website
mirror.radwag.com/en/info,w1,7IF



The drawings, photos and graphics used are for illustrative purposes only.

Functions

-  Dosing
-  Labelling
-  Plus/Minus Control
-  Percent Weighing
-  Totalizing
-  Parts counting
-  Peak hold
-  Formulation
-  Newton unit measurement
-  Statistics
-  Checkweighing
-  GLP Procedures
-  Animal weighing
-  Differential weighing
-  Replaceable unit
-  Statistical Quality Control
-  ALIBI Memory
-  Transactions

Datasheet

| Metrological parameters | |
|-------------------------|-------|
| Maximum capacity [Max] | 62 kg |
| Minimum load | 100 g |
| Preload range | 30 kg |
| Readability [d] | 2 g |

| Metrological parameters | |
|--|---|
| Verification unit [e] | 2 g |
| Tare range | -62 kg |
| Repeatability | 0.6 g |
| Linearity | ±2 g |
| Stabilization time | 2 s |
| Adjustment | internal (automatic) |
| OIML Class | II |
| Maximum quantity of verification units | 31000 e |
| Physical parameters | |
| Display | 10.1" graphic colour touchscreen |
| Weighing pan dimensions | 500×400 mm |
| Packaging dimensions W x D x H | 610×710×505 mm |
| Net weight | 37 kg |
| Gross weight | 52 kg |
| Construction | |
| Protection class | IP 66 / 67 construction, IP 66 / 67 / 69 terminal |
| Construction | mild steel St3S |
| Weighing pan material | Stainless steel AISI304 |
| Communication interface | |
| Communication interface | 2×RS232, 2×USB-A, Ethernet, 4 IN / 4 OUT (digital) |
| Optional interfaces | module Wi-Fi 802.11 b/g/n, module Profibus (DP SLAVE), module RS485, module PROFINET (RJ45), analog output module (4-20mA, 0-20mA, 0-10V) , 12IN / 12OUT (IN – 5-24 VDC, OUT – max 30 VDC, 0.5 ADC) |
| Electrical parameters | |
| Power supply | 100 – 240 V AC 50/60 Hz |
| Environmental conditions | |
| Operating temperature | +10 – +40 °C |
| Relative humidity | 15% – 80% |

Repeatability is expressed as the standard deviation of ten load placements.

Relative humidity under non-condensing conditions.

Stabilization time under optimal environmental conditions.

* Wi-Fi® is a registered trademark of Wi-Fi® Alliance.



Additional fee for verification



Accessories (Additional Fee)

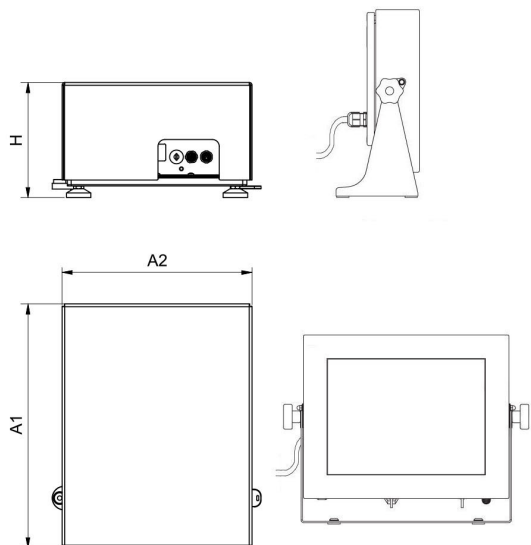
AP2-4 Current Loop Unit
RS 232 cables (scale - printer)
Transponder card readers
RS 232 cables (scale - ZEBRA printer)
Ethernet cables (scale - Ethernet)
Displays

Label Printers
Stands, wall mounting kits and mounting brackets
Keypad, external switches
Receipt Printer
USB cable (scale - printer)
Additional Weighing platforms Module

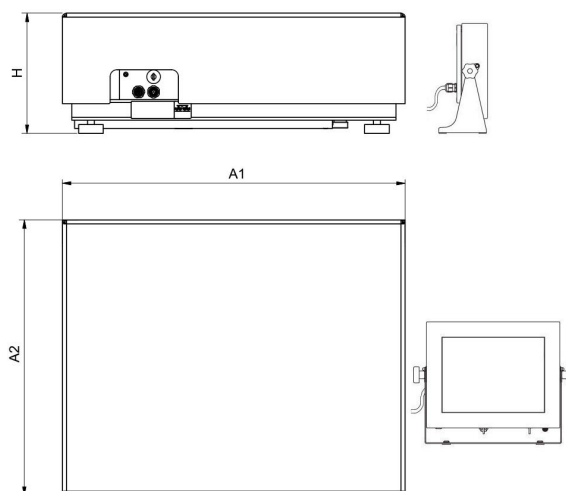
Software (Additional Fee)

- E2R Weighing [WX-010-0099]
- Audit Trail Reader [WX-010-0186]
- RADWAG Remote Desktop [WX-010-0107]
- Scale Editor 2.1 [WX-010-0173]
- RAD Key [WX-010-0005]
- Label Editor R02 [WX-010-0094]
- R-Lab [WX-010-0080]
- RADWAG Development Studio [WX-010-0104]

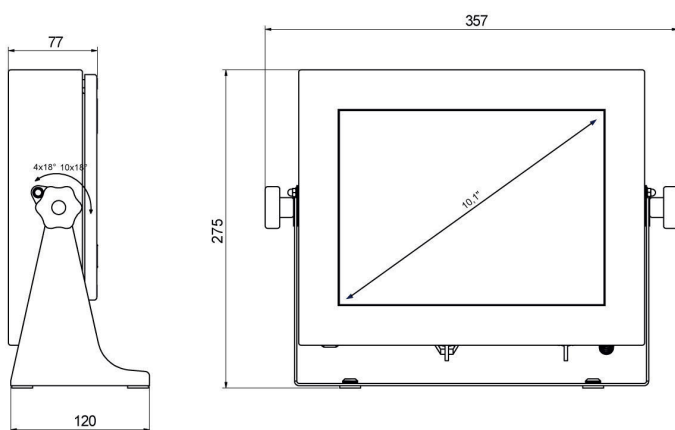
Device dimensions W x D x H



HY10.16 - 32.HRP



HY10.HRP



PUE HY10

| Scale type | A1 | A2 | H |
|-----------------------|------|------|-------|
| HY10.(16-32).HRP | 360 | 280 | 180±5 |
| HY10.(62-150).HRP | 500 | 400 | 180±5 |
| HY10.150.2.HRP | 500 | 500 | 180±5 |
| HY10.(150.1-300).HRP | 800 | 600 | 180±5 |
| HY10.(300.1-1100).HRP | 1000 | 800 | 180±5 |
| HY10.(2000).HRP | 1250 | 1000 | 180±5 |

Dimensions in mm