



More information on the website  
[mirror.radwag.com/en/info,w1,799](http://mirror.radwag.com/en/info,w1,799)

# H315.2K.300/600 Overhead Track Scale

WP-238-1001



The drawings, photos and graphics used are for illustrative purposes only.

## Functions

 Plus/Minus Control

 Percent Weighing

 Totalizing

 Parts counting

 Internal battery

 Peak hold

 Newton unit measurement

 Animal weighing

## Datasheet

### Metrological parameters

Maximum capacity [Max]	300 / 600 kg
Minimum load	2 kg
Readability [d]	0.1 / 0.2 kg
Verification unit [e]	0.1 / 0.2 kg
Tare range	-600 kg
OIML Class	III

### Physical parameters

Display	4.3" LCD (backlit)
Detection line span	L= 800 mm (min. 200 mm)

Construction	
Protection class	IP 66 / 67 construction, IP 66 / 67 / 69 terminal
Construction	galvanized
Communication interface	
Communication interface	RS232, USB
Optional interfaces	RS232 or RS485 or 4IN/4OUT or Ethernet or analog output 4-20 mA
Electrical parameters	
Power supply	100 – 240 V AC 50/60 Hz
Optional power supply	internal rechargeable battery
Operation time on batteries	max 7h
Environmental conditions	
Operating temperature	-10 – +40 °C
Relative humidity	10% – 85% RH no condensation



Additional fee for verification



## Accessories (Additional Fee)

AP2-4 Current Loop Unit  
 RS 232 cables (scale - printer)  
 Displays  
 Ethernet cables (scale - Ethernet)  
 RS 232, RS 485 cables  
 Power Adapters

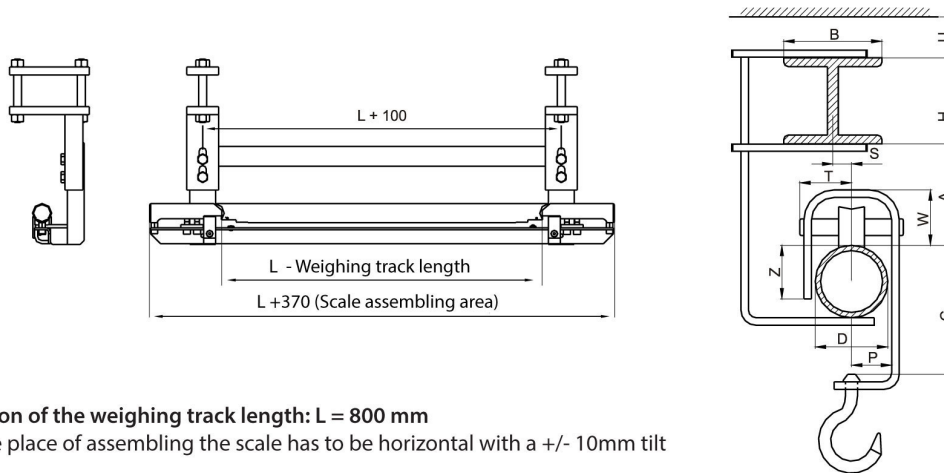
RS 232 – Ethernet Converter  
 USB adapter  
 Receipt Printer  
 USB cable (scale - printer)  
 Stands, wall mounting kits and mounting brackets  
 RS 232 – USB Converter

## Software (Additional Fee)

- RAD Key [WX-010-0005]
- Scale Editor 2.1 [WX-010-0173]

- R-Lab [WX-010-0080]

# Device dimensions W x D x H



## CAUTION

- Standard version of the weighing track length:  $L = 800 \text{ mm}$
- The truck in the place of assembling the scale has to be horizontal with a  $\pm 10 \text{ mm}$  tilt limit
- The dimensions bearing the letters are to be agreed with contractor manufacturing Z dimension; the dimensions can be omitted if the following relation is fulfilled:  $Z \leq 80\% D$

Dimensions of an overhead track scale with a shaft of  $\varnothing 60$  (standard version)



Minimum track clearance:  $A = 90 \text{ mm}$ .

Weighing track length:  $200 \leq L \leq 800 \text{ mm}$ . As a standard:  $L=800 \text{ mm}$ .

Maximum capacity:  $600 \text{ kg}$ .