



More information on the website  
[mirror.radwag.com/us/info,w1,6RX](http://mirror.radwag.com/us/info,w1,6RX)

# MWLH 30 Electromagnetic Compensation Weighing Module

WX-016-0110



The drawings, photos and graphics used are for illustrative purposes only.

## Datasheet

Maximum capacity [Max]	30 kg
Minimum load	5 g
Preload range	3 kg
Readability [d]	0,1 g
Tare range	-30 kg
Repeatability	0,1 g
Linearity	±0,3 g
Stabilization time	2 s
Adjustment	external
<b>Construction</b>	
Protection class	IP 65
Power supply	100 – 240 V AC 50/60 Hz
Operating temperature	+10 – +40 °C

Relative humidity	15% – 80%
-------------------	-----------

### Physical parameters

Weighing pan dimensions	212×174 mm
-------------------------	------------

Device dimensions W x D x H	341×236×164 mm
-----------------------------	----------------

Packaging dimensions W x D x H	580×413×360 mm
--------------------------------	----------------



## Accessories (Additional Fee)

RS 232 cables (scale - Ethernet)

RS 232, RS 485 cables

IN/OUT Cables

Powerbanks

RS 232 – USB Converter

## Software (Additional Fee)

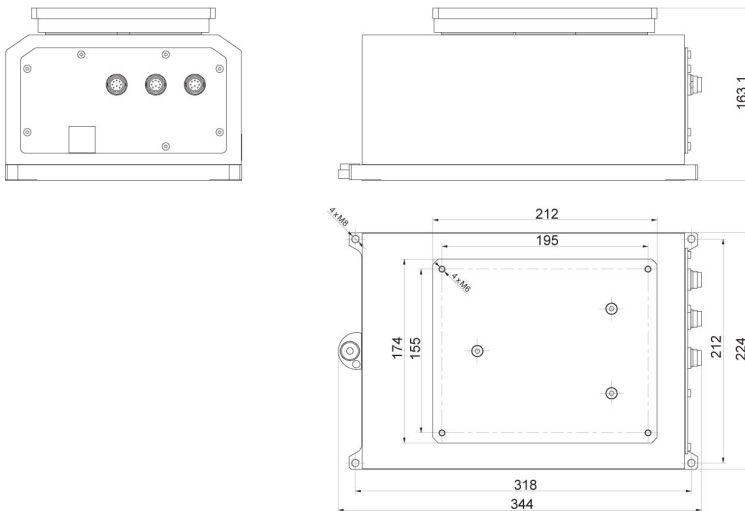
• MWMH Manager [WX-010-0103]

• Scale Editor - EWAG 2.1 [WX-010-0173]

• RAD Key [WX-010-0005]

• RADWAG Development Studio [WX-010-0104]

## Device dimensions W x D x H



MWLH