



More information on the website
mirror.radwag.com/en/info,w1,4BF

AK-4.100.1.5Y Automatic Mass Comparators

WL-413-0015



The drawings, photos and graphics used are for illustrative purposes only.

Datasheet

Metrological parameters	
E0 Calibration Range	10 – 100 * g
E1 Calibration Range	10 – 100 g
E2 Calibration Range	10 – 100 g
F1 Calibration Range	10 – 100 g
F2 Calibration Range	10 – 100 g
Maximum capacity [Max]	110 g
Readability [d]	0.1 µg
Standard repeatability [5% Max]	0.6 µg
Standard repeatability [Max]	0.6 µg
Permissible repeatability	1.5 µg
Eccentricity (tested load)	0 mg
Electric compensation range	-1 g – +10 g
Stabilization time	30 s
Adjustment	internal (automatic)

Physical parameters	
Display	10" graphic colour touchscreen
Weighing pan dimensions	ø24 mm
Weighing device dimensions	385×215×600 mm
Controlling device dimensions	249×170×72 mm
Anti-draft chamber dimensions	560×340×665 mm
Packaging dimensions	860×800×560 mm
Chamber packaging size	950×420×630 mm
Net weight	45.8 kg
Gross weight	65.8 kg
Supplementary weights internal	half automatic
Supplementary weights external	-
Magazine	4
Communication interface	
Communication interface	2×USB-A, USB-C, RS 232 (COM3), HDMI, Ethernet, Wi-Fi, Hotspot
Electrical parameters	
Power supply	100 – 240 V AC 50/60 Hz
Environmental conditions	
Operating temperature	+15 – +30 °C
Operating temperature change rate	±0.5 °C / 12 h (±0.3 °C / 4 h)
Relative humidity	40% – 60%
Relative humidity change rate	±5% / 12 h (3% / 4 h)

Repeatability is expressed as a standard deviation determined for 6 ABBA cycles. Standard deviation is experimentally determined under ambient conditions for calibration of E1 class mass standards specified in OIML R111 (Table C.1.) document.

E0 standard determined from 1σ5 limiting error according to OIML R111 for class E1.

* Wi-Fi® is a registered trademark of Wi-Fi® Alliance.



Accessories (Additional Fee)

RFID Tags
 Antivibration Tables
 Additional modules
 Protective cover for balances
 Barcode scanners
 RS 232, RS 485 cables

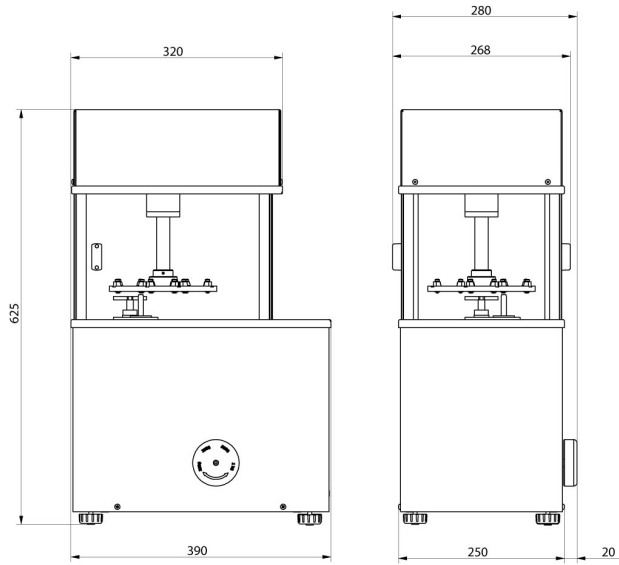
THBR 2.0 System - Ambient Conditions Monitoring
 Receipt Printer
 Fingerprint Reader
 RS 232, RS 485 cables
 RS 232 cables (scale - printer)

Software (Additional Fee)

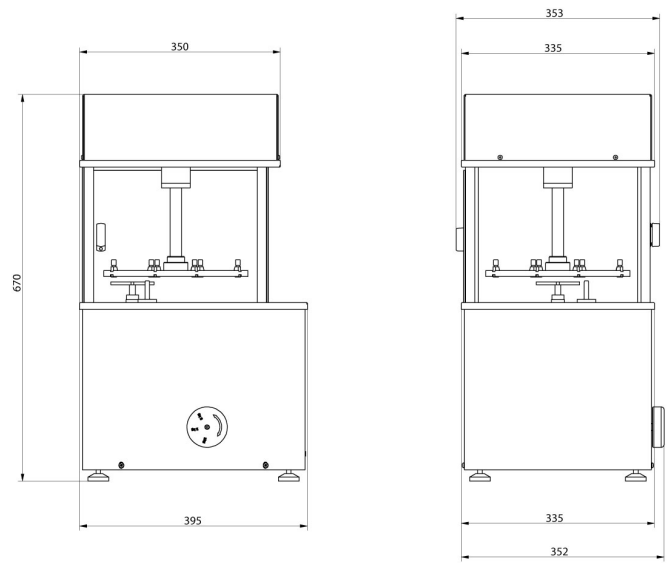
- RAD Key [WX-010-0005]
- RMCS System Network Management of Calibration Process [WX-010-0048]

- RMCS Lite [WX-010-0164]

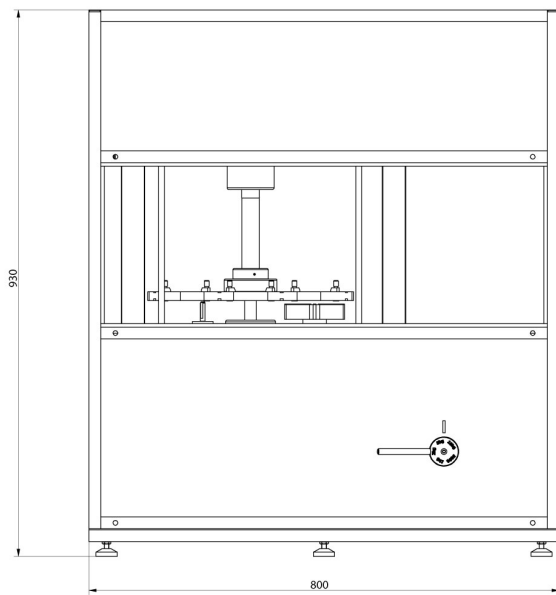
Device dimensions



AK-4/100, AK-4/1000,
AK-4/1000.1



AK-4/2000, AK-4/5000,
AK-4/5000.1



AK-4/10000, AK-4/16000

