



More information on the website
mirror.radwag.com/es/info,w1,418

Rampa de balanza H9 1500kg

WX-004-0178



The drawings, photos and graphics used are for illustrative purposes only.

Datos tecnicos

| Construcción | |
|----------------------------------|------------------|
| Material | Acero inoxidable |
| Paramètros físicos | |
| Dimensión de plataforma de carga | 1500×1150 mm |



Trabaja con (Additional Fee)

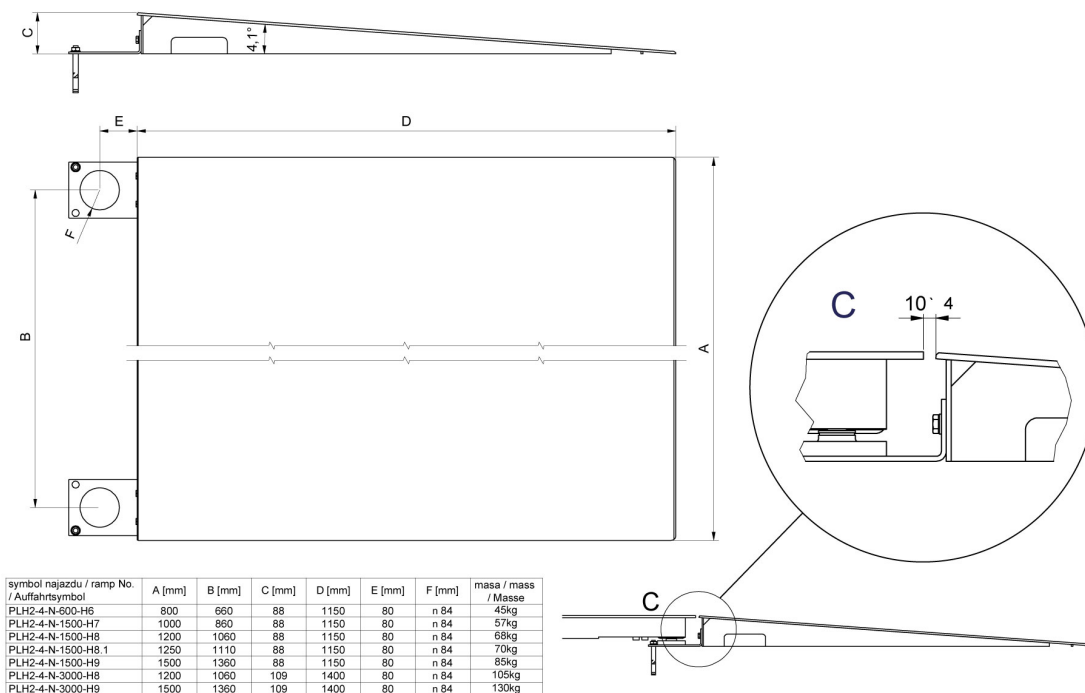
Báscula de plataforma inoxidable H315 4H

Báscula multifuncionale de plataforma inoxidable HX7.4 H

Dimensiones de aparato An x Pr x Al



Ramps made of powder-coated steel



Ramps made of stainless steel