



More information on the website
mirror.radwag.com/us/info,w1,2XX

XA100 - Adapter for Pipettes calibration

100 ml XA 5Y.A

WX-001-0450



The drawings, photos and graphics used are for illustrative purposes only.

Overview

XA100 pipette calibration adapter enables calibration and/or verification of piston pipettes by means of a gravimetric method using the XA analytical balance.

Set content:

base weighing pan weighing vessel evaporation ring glass chamber with an opening for dosing

Evaporation ring is an integral part of the adapter that increases relative humidity inside the weighing chamber. With this evaporation of the liquid during calibration/verification is stopped.

An integrated weighing pan enables centric loading of the vessel in the weighing chamber. The weighing pan and the vessel are housed in a glass chamber featuring an opening allowing the user to dispense liquid through it, and reducing air drafts.

Vessel capacity: 100 ml

Adapters for Pipettes Calibration

Pipette calibration adapters are intended for calibration and verification of piston pipettes using gravimetric method. Use of the pipette calibration adapter reduces maximum capacity of the balance by the mass of the weighing vessel. The table below, which presents the minimum requirements in accordance with ISO 8655-6:2022 standard, enables to select suitable adapter for pipette calibration and respective balance version. The parameters of the balance have been selected so that the expanded uncertainty of measurement in use is less than $\frac{1}{4}$ of the maximum permissible error of the test object.

^a The repeatability values, in this table, apply in the volumen determination of a single channel pipette. When a single-channel balance is used for volumen determination of single channel pipettes the repeatability values are double the values of this table.

^c Single-channel balance.

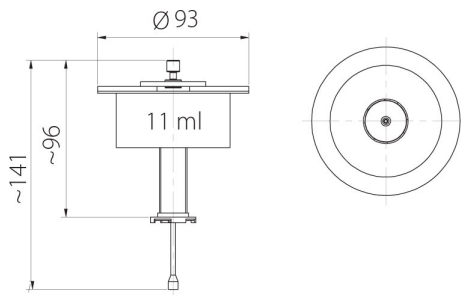
^d Multichannel balance, only valid for multi-channel pipettes. Multi-channel balances of 0,01 mg readability may be uses to test multi-channel pipettes with nominla volumes below 20 μl only if the expanded uncertainty in use is less than $\frac{1}{4}$ of the maximum permissible systematic error of the test object.

^e For single-channel pipettes of nominal volumes of less than 2 μl , a balance with repeatability better than the values in the table shall be used so that the expanded uncertainty in use is less than $\frac{1}{4}$ of the maximum permissible systematic error of the test object.

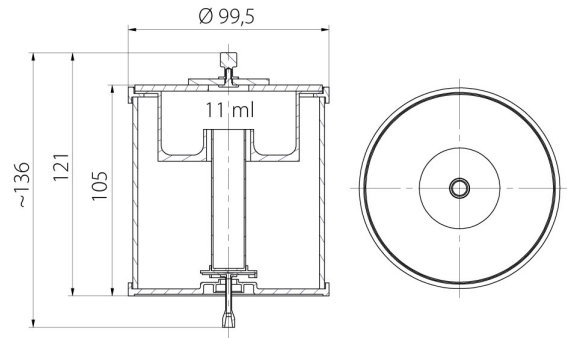
Compatible with (Additional Fee)

XA 5Y.A Analytical Balance

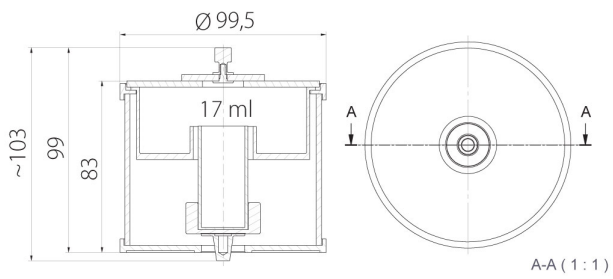
Device dimensions W x D x H



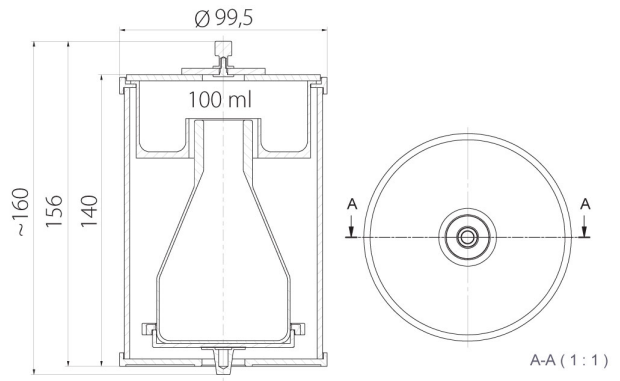
MY11



XA11



XA17



XA100