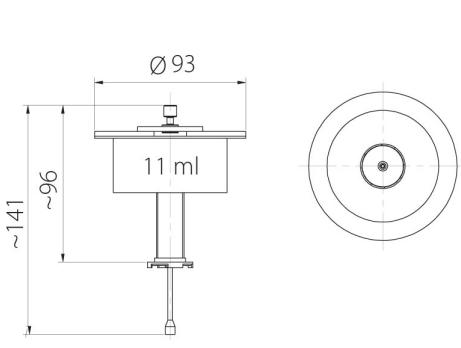


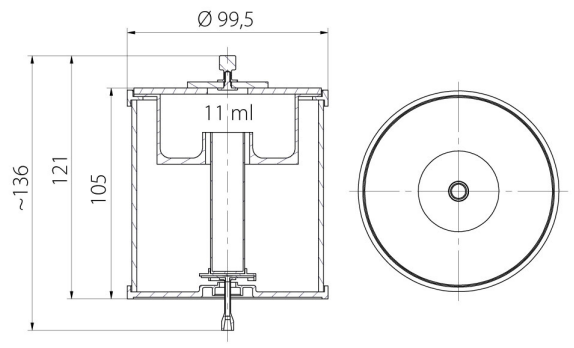
- a 2
- c
- d 0.01 mg 20 µl ¼
- e 2 µl ¼

Additional Fee

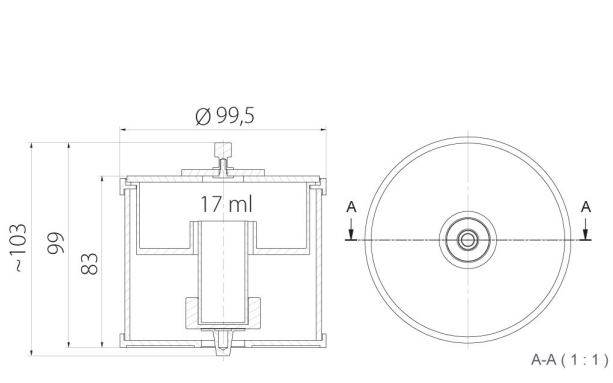
XA 5Y.A



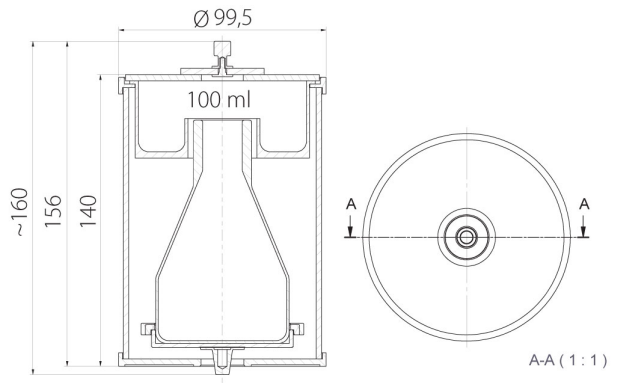
MY11



XA11



XA17



XA100