



More information on the website  
[mirror.radwag.com/us/info,w1,253](https://mirror.radwag.com/us/info,w1,253)

# MWLH 10 Electromagnetic Compensation Weighing Module



The drawings, photos and graphics used are for illustrative purposes only.

## Datasheet

Maximum capacity [Max]	10 kg
Minimum load	0,5 g
Preload range	1 kg
Readability [d]	0,01 g
Tare range	-10 kg
Repeatability	0,01 g
Linearity	±0,02 g
Stabilization time	3 s
Adjustment	external
<b>Construction</b>	
Protection class	IP 65
Power supply	100 – 240 V AC 50/60 Hz
Operating temperature	+10 – +40 °C
Relative humidity	15% – 80%

## Physical parameters

Weighing pan dimensions	212×174 mm
Device dimensions	341×236×164 mm
Packaging dimensions	580×413×360 mm



## Accessories

RS 232 cables (scale - Ethernet)  
RS 232, RS 485 cables  
IN/OUT Cables

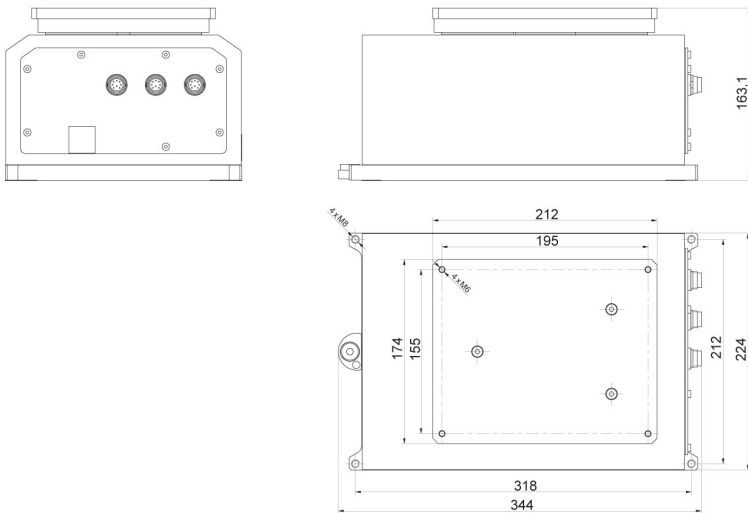
Powerbanks  
RS 232 – USB Converter

## Software

• MWMH Manager [WX-010-0103]  
• Scale Editor - EWAG 2.1 [WX-010-0173]

• RAD Key [WX-010-0005]  
• RADWAG Development Studio [WX-010-0104]

## Device dimensions



[MWLH](#)