



More information on the website  
[mirror.radwag.com/us/info,w1,1H6](http://mirror.radwag.com/us/info,w1,1H6)

# MPS 6000 Weighing Module



The drawings, photos and graphics used are for illustrative purposes only.

## Datasheet

Maximum capacity [Max]	6000 g
Minimum load	500 mg
Preload range	600 g
Readability [d]	10 mg
Tare range	-6000 g
Repeatability	15 mg
Linearity	±30 mg
Stabilization time	1,5 s
Adjustment	internal (automatic)
<b>Construction</b>	
Protection class	IP 32
Housing	aluminum
Communication interface	2×RS232, 2×IN PRINT / TARA
Power supply	100 – 240 V AC 50/60 Hz

Operating temperature +10 – +40 °C

Relative humidity 40% – 80%

### Physical parameters

Weighing pan dimensions  $\varnothing 115$  mm

Device dimensions 293×190×112 mm

Packaging dimensions 515×340×295 mm

Net weight 4,1 kg



## Accessories

Antivibration tables  
Professional Weighing Tables  
RS 232, RS 485 cables

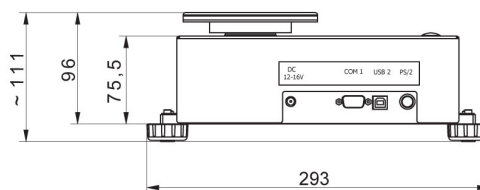
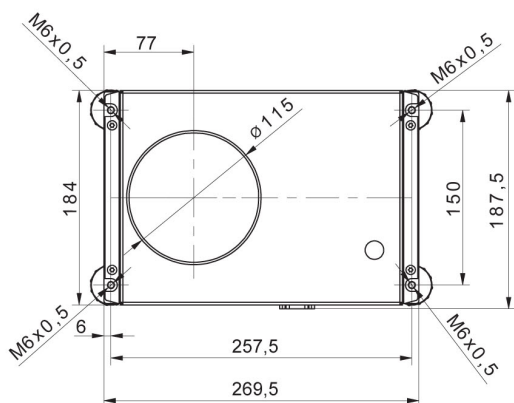
RS 232 – USB Converter  
RS 232 cables (scale - printer)

## Software

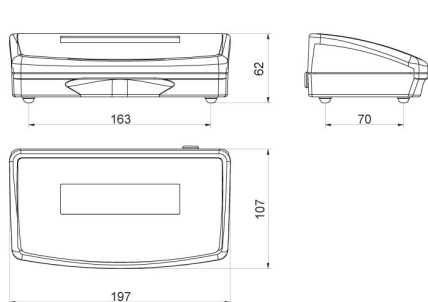
• RAD Key [WX-010-0005]  
• RADWAG Development Studio [WX-010-0104]

• R Panel [WX-010-0187]

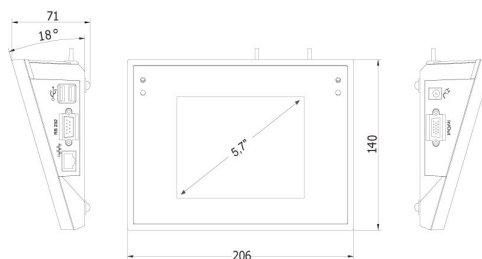
## Device dimensions



### MPS



### R operator panel



### Y operator panel