



More information on the website
mirror.radwag.com/ja/info,w1,1EM

SAL/STONE/H Stainless Steel Antivibration Table

WX-001-0079



The drawings, photos and graphics used are for illustrative purposes only.

☒☒☒☒☒☒

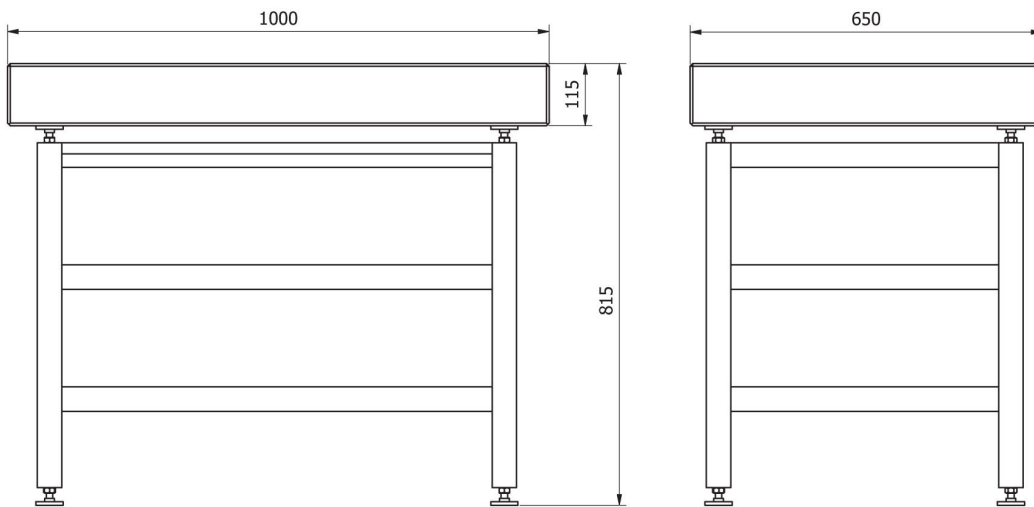
☒☒	
☒☒	☒☒☒☒ AISI304
☒☒☒	150 kg
☒☒☒☒☒☒☒☒	
☒☒☒☒	1200×800×970 mm
☒☒☒☒	215 kg
☒☒☒	255 kg
☒☒	1000 mm
☒	650 mm
☒☒	815 mm



☒☒☒☒☒ (Additional Fee)

H315 HR
 MA X7.IC.A
 MUYA
 MAS1
 XA 5Y.M.A.P
 MYA 5Y.P
 MA 5Y
 C315
 5Y.PM
 MYA 5Y.F
 MA X2.IC.A
 AS X7
 PS X2
 AS X2 PLUS
 XA 5Y.M.A
 WLC
 PS R2
 WLC X7
 H315 H
 MA X2.A
 MAS
 MPS
 C32.PM
 MA X7.A
 PS X7
 XA 5Y.A

WAY 5Y.KO
 UYA 5Y
 MA 5Y.IC
 MA R
 AS 5Y
 AK-4
 PGCPS 3Y
 PS R2.H
 WTC
 XA 5Y.F
 WLY
 UMA
 WLC C/2
 MYA 5Y
 WPY
 PS R1
 XA 5Y
 AS R2 PLUS
 PS 5Y
 PMV 5Y
 XA 5Y.KO
 XA 5Y.M
 UYA 5Y.KO
 UYA 5Y.F
 APP 5Y.KO
 Nano-Comparator NANO.AK-4.500.5Y
 XA 5Y.M.A.S



SAL/STONE