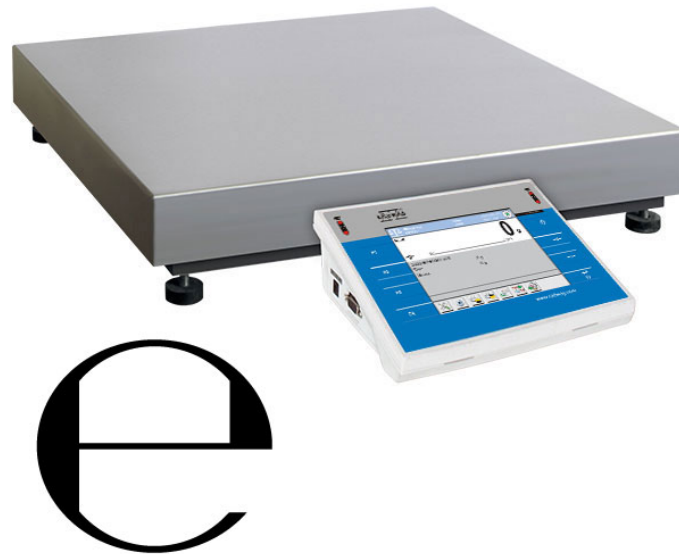




More information on the website  
[mirror.radwag.com/en/info,w1,OKW](http://mirror.radwag.com/en/info,w1,OKW)

# WLY 60/120.C2.R.PGC Scale



The drawings, photos and graphics used are for illustrative purposes only.

## Functions

-  Dosing
-  Labelling
-  Plus/Minus Control
-  Percent Weighing
-  Totalizing
-  Parts counting
-  Peak hold
-  Formulation
-  Newton unit measurement
-  Statistics
-  Checkweighing
-  IR sensors
-  Animal weighing
-  Differential weighing
-  Packaged Goods Control
-  ALIBI Memory

## Datasheet

| Metrological parameters |             |
|-------------------------|-------------|
| Maximum capacity [Max]  | 60 / 120 kg |
| Minimum load            | 0.5 kg      |
| Readability [d]         | 10 / 20 g   |
| Verification unit [e]   | 10 / 20 g   |
| Tare range              | -120 kg     |
| Repeatability           | 10 / 20 g   |

| Metrological parameters  |   |
|--------------------------|---|
| Linearity                | ±10 / 20 g  |
| Stabilization time       | 3 s   |
| Adjustment               | external  |
| OIML Class               | II  |
| Physical parameters      |   |
| Leveling system          | manual  |
| Display                  | 5.7" resistive colour touchscreen   |
| Weighing pan dimensions  | 400×500 mm  |
| Packaging dimensions     | 720×620×210 mm  |
| Net weight               | 12.5 kg   |
| Gross weight             | 15 kg   |
| Construction             |   |
| Protection class         | IP 43   |
| Communication interface  |   |
| Communication interface  | 2×RS232, 2×USB-A, Ethernet, 4 IN / 4 OUT (digital), Wi-Fi                     |
| Electrical parameters    |   |
| Power supply             | Adapter: 100 – 240V AC 50/60Hz 1A; 15V DC 2.4A<br>Balance: 10 – 28V DC 1A max |
| Environmental conditions |   |
| Operating temperature    | +15 ÷ +30 °C  |
| Storage temperature      | -25 - +70 °C  |
| Relative humidity        | 10% ÷ 85% RH no condensation  |

\* Wi-Fi® is a registered trademark of Wi-Fi® Alliance.



## Accessories

Transponder card readers  
 Power Adapters  
 RS 232 cables (scale - printer)  
 Cigarette lighter receptacle power supply cables  
 Barcode scanners  
 Under-pan weighing  
 RS 232, RS 485 cables  
 Label Printers  
 Additional modules  
 Displays

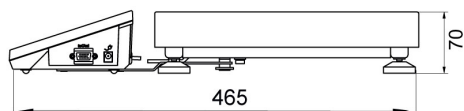
IN/OUT Cables  
 Keypad, external switches  
 Stands, wall mounting kits and mounting brackets  
 Receipt Printer  
 F1 Mass Standard - knob weights without adjustment chamber, set  
 AP2-1 Current Loop Unit  
 RS 232, RS 485 cables  
 Additional Weighing platforms Module  
 RS 232 – USB Converter  
 RS 232 cables (scale - printer)

## Software

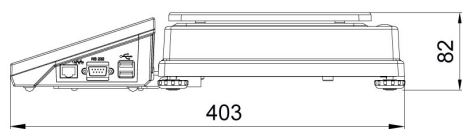
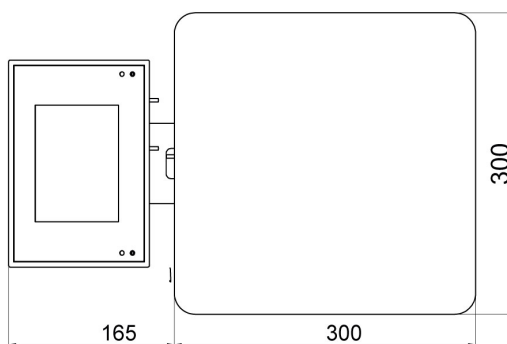
- E2R Weighing [WX-010-0099]
- E2R Weighing Records [WX-010-0038]
- Audit Trail Reader [WX-010-0186]
- RADWAG Remote Desktop [WX-010-0107]

- E2R PGC [WX-010-0051]
- RAD Key [WX-010-0005]
- Label Editor R02 [WX-010-0094]
- R-Lab [WX-010-0080]

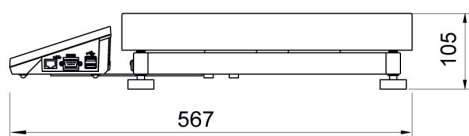
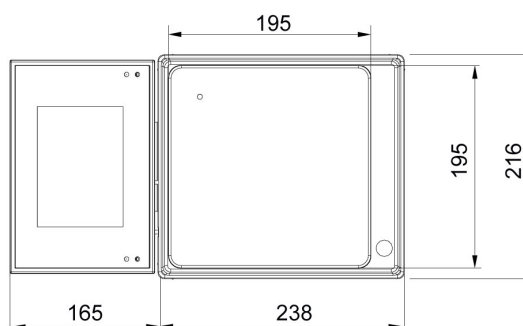
## Device dimensions



F1 version



D2 version



C2 version

