



More information on the website  
[mirror.radwag.com/us/info,w1,02A](https://mirror.radwag.com/us/info,w1,02A)

# MAS.1.51.R Weighing Module



The drawings, photos and graphics used are for illustrative purposes only.

## Datasheet

Maximum capacity [Max]	51 g
Minimum load	1 mg
Preload range	5,1 g
Readability [d]	0,01 mg
Tare range	-51 g
Minimum weight (USP)	24 mg
Minimum weight (U=1%,k=2)	2,4 mg
Repeatability (Max)	0,025 mg
Repeatability (5% Max)	0,012 mg
Linearity	±0,06 mg
Stabilization time	6 s
<b>Physical parameters</b>	
Display	LCD (backlit)
Weighing pan dimensions	ø33 mm
Device dimensions	289×143×125 mm

Physical parameters	
Packaging dimensions	650×340×315 mm
Net weight	4,7 kg
Gross weight	6,7 kg
Construction	
Protection class	IP 54
Communication interface	RS232
Power supply	100 – 240 V AC 50/60 Hz
Operating temperature	+10 – +40 °C
Relative humidity	40% – 80%



## Accessories

RS 232 cables (scale - printer)  
 Antivibration tables  
 RS 232, RS 485 cables

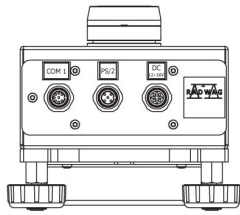
Professional Weighing Tables  
 RS 232 – USB Converter  
 RS 232, RS 485 cables

## Software

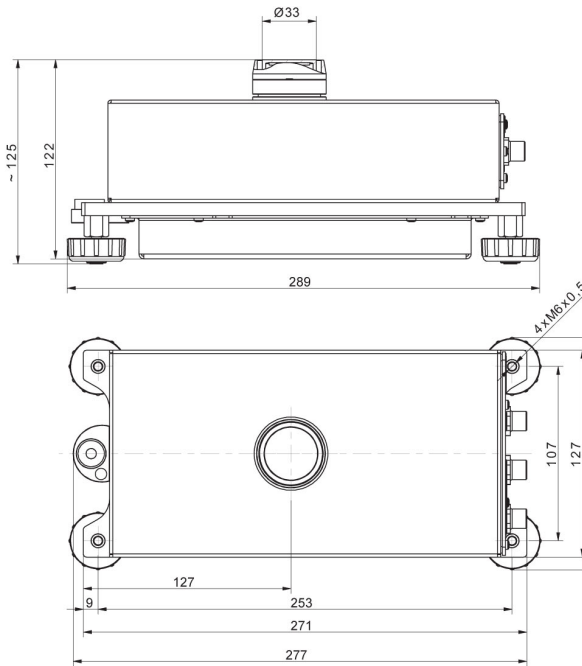
- RAD Key [WX-010-0005]
- RADWAG Development Studio [WX-010-0104]

- R Panel [WX-010-0187]

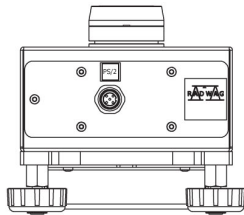
## Device dimensions



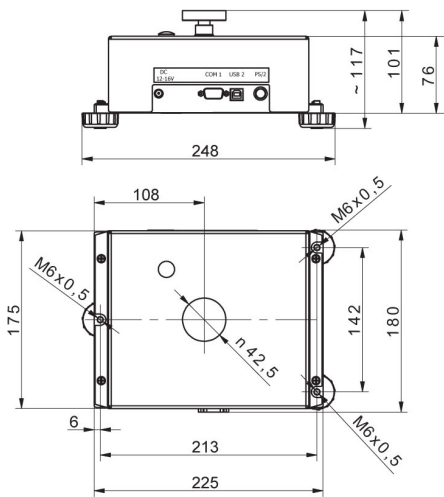
MAS.1  
MAS.1.R



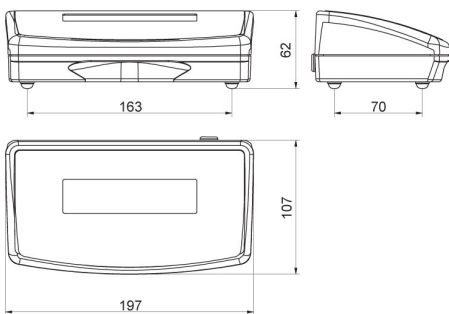
MAS.1



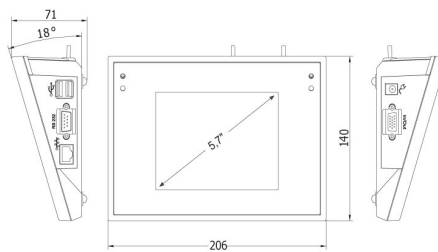
MAS.1.Y



MAS



R operator panel



Y operator panel